

NISSAN NV CARGO & NV200 CARGO VAN EQUIPMENT



ADRIAN STEEL®
Cargo Management Solutions for Commercial Vehicles



ADRIAN STEEL HAS ALL THE STORAGE PRODUCTS YOU WILL NEED

And the distributor network to professionally install your interior to get you serving your customers faster! Below is a guide to help you set up your work van with the equipment you need to get the job done. Build your own interior with our modular products, or start with a trade specific package and modify it to your specific needs.

ZONE 1 PARTITION

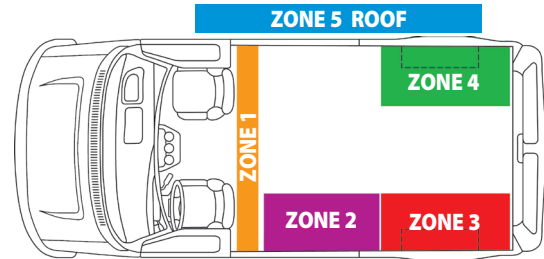
- Choose partition style and wing kit (if applicable.)
- Add accessories.
- I need:

ZONES 2, 3, 4 CURBSIDE & STREETSIDE

- Use layout diagram to determine the amount of space available.
- Choose from a variety of shelving units and modules, or a trade specific interior package.
- I need:

ADDITIONAL STORAGE

- Add accessories to shelving and partition
- Hooks, drawers, files, screens, and more.
- I need:



ZONE 5 ROOF

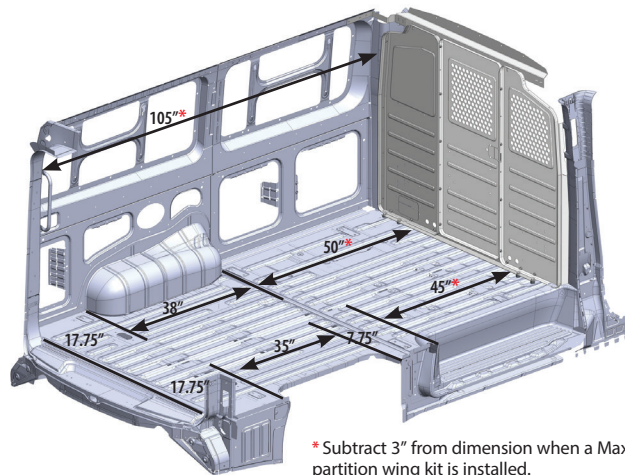
- What do you need to carry?
- Choose a ladder rack or utility rack to fit your needs.
- I need:

Need some help?
Contact your local distributor! They can provide a wealth of information about utilizing the cargo space in your work van. Find your local distributor online at adriansteel.com.

INDEX

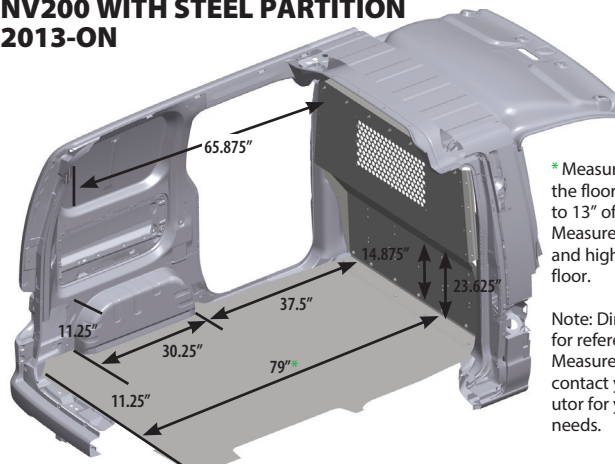
- 2 Plan Your Work Ready Van
- 3 Nissan Commercial Incentive Program
- 4-5 NV CARGO Program Complimentary Packages
- 6-8 NV CARGO Program Customer Resp. Packages
- 9 NV CARGO Incentive Program Accessories
- 10-11 NV200 Program Complimentary Packages
- 12-13 NV200 Program Customer Resp. Packages
- 14-15 NV CARGO Tall Shelf Packages
- 16-17 NV200 ADseries Trade Packages
- 18-19 NV200 HD Series Trade Packages
- 20-21 NV CARGO & NV200 Partitions
- 22-23 ADseries Shelving
- 24-25 Storage Modules
- 26 Portable Parts Cases
- 27-28 Van Accessories
- 29 NV CARGO LoadsRite Ladder Racks
- 30 NV CARGO EZ Load Ladder Rack
- 31 Interior Ladder Racks
- 32 NV CARGO Utility Racks
- 33 NV200 Grip Lock & Utility Racks
- 34-35 Index

NV CARGO WITH STANDARD PARTITION



* Subtract 3" from dimension when a Max Comfort partition wing kit is installed.
Note: Dimensions for reference only. Measure your van or contact your distributor for your exact needs.

NV200 WITH STEEL PARTITION 2013-ON



* Measures 79" at the floor and up to 13" off the floor. Measures 72" at 23" and higher off the floor.

Note: Dimensions for reference only. Measure your van or contact your distributor for your exact needs.

All illustrations, photos and specifications in this publication are based on the latest product information available at the time of content approval. The right is reserved to make changes at any time, without notice, in materials, specifications and models, and also to discontinue models.

NISSAN COMMERCIAL INCENTIVE PROGRAM



NISSAN AND ADRIAN STEEL ARE COMMITTED BUSINESS PARTNERS AND THEY HAVE TEAMED UP TO OFFER YOU THE COMMERCIAL STORAGE PRODUCTS NECESSARY TO GROW YOUR BUSINESS.

The Nissan Commercial Incentive Program offers qualified commercial customers substantial benefits, including your choice of upfit packages featuring shelving or ladder storage options for both NV Cargo Standard/High roof models and NV200 Compact Cargo.

PROGRAM ELIGIBILITY:

Incentives available only to a commercial business. Subject to verification and eligibility requirements. Customers who can provide one of the following eligible business documents can take advantage of the Nissan Commercial Incentive Program. All eligible business documentation must link the owner's name to the business.

- Business License
- Copies of DBA or assumed name document
- Articles of Incorporation
- Sales Tax License
- State or Federal forms showing a Federal Identification Number
- Nissan FAN code
- Verifiable D & B listing
- Municipal Business License
- State or Federal authorized business website (must have a .gov web address)
- State Occupational License for Trade (for example Plumber, Electrician, Contractor)



The Nissan Commercial Incentive Program is available only through Nissan Business Certified Dealers in the US.

- You must purchase or lease and take delivery of an eligible NV Cargo or NV200 Compact Cargo commercial van during the program period.
- Customer Responsibility charges are to be paid directly to the Adrian Steel Distributor.
- NV Cargo Program Accessories selected on program claims will be invoiced by Nissan through their dealer.

NEED HELP?

Contact your local Nissan Commercial Vehicle Dealer for more information about the Commercial Incentive Program. Locate your dealer online at: www.nissancommercialvehicles.com/dealer-locator

Adrian Steel Product questions can be directed to your local Adrian Steel distributor. Locate your distributor online at: www.adriansteel.com/distributors

NISSAN COMMERCIAL INCENTIVE PROGRAM

NV CARGO - STANDARD ROOF INCENTIVE OFFERS

COMMERCIAL STARTER PACKAGE (#4484)

MSRP Value \$2400

NO CHARGE!

ITEM	MODEL	DESCRIPTION	QTY
1	S1M2C2FSV	Steel Partition Panel Kit w/ Visibility	1
2	AD44LCV	Adjustable 3-Shelf Unit	3
3	TA1WAD	4-Hook Bar w/ Adapter	1
4	WKC1LCVS	Steel Partition Mounting Kit	1
5	RKLCV	Mounting Rail Kit	1



NO CHARGE!

UTILITY STARTER PACKAGE (#4976)

MSRP Value \$1915

NO CHARGE!

ITEM	MODEL	DESCRIPTION	QTY
1	S1M2C2FSV	Steel Partition Panel Kit w/ Visibility	1
2	3BARRNV-W	3-Bar Utility Rack w/ Rear Roller	1
3	WKC1LCVS	Steel Partition Mounting Kit	1



Safely transport ladders, conduit, sheet goods and more on the roof of your NV Cargo with a Utility Rack.

NO CHARGE!

LADDER RACK & PARTITION STARTER PACKAGE (#4957)

MSRP Value \$1595

NO CHARGE!

ITEM	MODEL	DESCRIPTION	QTY
1	S1M2C2FSV	Steel Partition Panel Kit w/ Visibility	1
2	61-GLNVL2	Passenger Side Grip Lock Ladder Rack	1
3	WKC1LCVS	Steel Partition Mounting Kit	1

NO CHARGE!

A cargo partition inside keeps your cargo in the back and helps with cab climate control. Bolt on partition accessories allow for easy access and organization.



NV CARGO



* Nissan Commercial Incentive Program provided by Nissan North America, Inc. for eligible NV Cargo vans.
 * Program available only through Nissan Business Certified Dealers in the United States.

NISSAN COMMERCIAL INCENTIVE PROGRAM

NV CARGO - HIGH ROOF INCENTIVE OFFERS

BASE STARTER PACKAGE (#4519)

MSRP Value \$2555

NO CHARGE!

ITEM	MODEL	DESCRIPTION	QTY
1	S1M2C2FSV	Steel Partition Panel Kit w/ Visibility	1
2	AD44LCV	Adjustable 3-Shelf Unit	3
3	TA1WAD	4-Hook Bar w/ Adapter	1
4	WKC1LCVH	Steel Partition Mounting Kit	1
5	RKLCV	Mounting Rail Kit	1



UTILITY STARTER PACKAGE (#4520)

MSRP Value \$1305

NO CHARGE!

ITEM	MODEL	DESCRIPTION	QTY
1	S1M2C2FSV	Steel Partition Panel Kit w/ Visibility	1
2	LKLCV	Ceiling Ladder Holder	1
3	WKC1LCVH	Steel Partition Mounting Kit	1



Keep ladders out of the elements and out of the way with an interior ladder rack. Store up to a 6 ft. step ladder inside your high roof NV Cargo. A full height cargo partition keeps your cargo in the back and helps with cab climate control. Bolt on partition accessories allow for easy access and organization.



NV CARGO

For the latest information on the Nissan Commercial Incentive Program, please contact your Nissan Commercial Vehicle Dealer.

NISSAN COMMERCIAL INCENTIVE PROGRAM

NV CARGO - UPGRADE PACKAGES

GENERAL SERVICE STARTER PACKAGE (#4686NS)

MSRP Value \$3485

Less Nissan Contribution

CUSTOMER RESPONSIBILITY: \$675

GENERAL SERVICE STARTER PACKAGE (#4686NH)

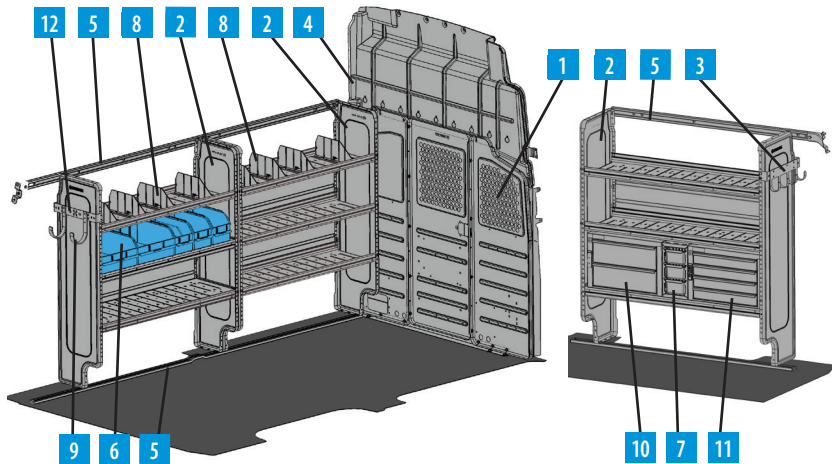
MSRP Value \$3640

Less Nissan Contribution

CUSTOMER RESPONSIBILITY: \$675



ITEM	MODEL	DESCRIPTION	QTY
1	S1M2C2FSV	Steel Partition Panel Kit w/ Visibility	1
2	AD44LCV	Adjustable 3-Shelf Unit	3
3	TA1WAD	4-Hook Bar w/ Adapter	1
4	WKC1LCVH or WKC1LCVS	Steel Partition Mounting Kit	1
5	RKLCV	Mounting Rail Kit	1
6	BR36212	Bin Set for Adjustable Shelving	1
7	DC6	3-Drawer Unit	1
8	DV14C1	Shelf Divider	8
9	UH50	Utility Hook	2
10	19	2-Drawer Unit w/ Lock	1
11	9	4-Drawer Unit w/ Lock	1
12	BRK14EPS	End Panel Mounting Bracket	1



ELECTRICAL STARTER PACKAGE (#4687NS)

MSRP Value \$4380

Less Nissan Contribution

CUSTOMER RESPONSIBILITY: \$1211

ELECTRICAL CONTRACTOR STARTER PACKAGE (#4687NH)

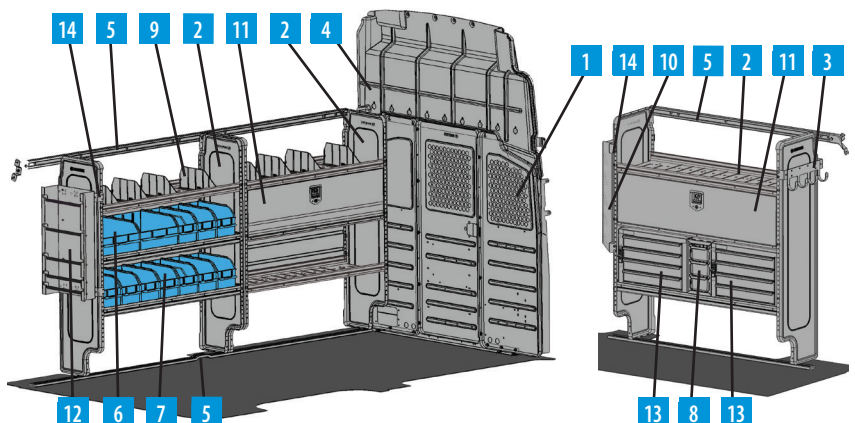
MSRP Value \$4530

Less Nissan Contribution

CUSTOMER RESPONSIBILITY: \$1211



ITEM	MODEL	DESCRIPTION	QTY
1	S1M2C2FSV	Steel Partition Panel Kit w/ Visibility	1
2	AD44LCV	Adjustable 3-Shelf Unit	3
3	TA1WAD	4-Hook Bar w/ Adapter	1
4	WKC1LCVH or WKC1LCVS	Steel Partition Mounting Kit	1
5	RKLCV	Mounting Rail Kit	1
6	BR36212	Bin Set for Adjustable Shelving	1
7	BR76012	Bin Set for Adjustable Shelving	1
8	DC6	3-Drawer Unit	1
9	DV14C1	Shelf Divider	8
10	CB5	5-Slot Literature Rack	1
11	DK4210	Door Kit w/ Open Back	2
12	WRH5	5-Bar Spool Holder	1
13	9	Four Drawer Shallow	2
14	BRK14EPS	End Panel Bracket	4



NISSAN COMMERCIAL INCENTIVE PROGRAM

NV CARGO - UPGRADE PACKAGES

SECURITY STARTER PACKAGE (#4688NS)

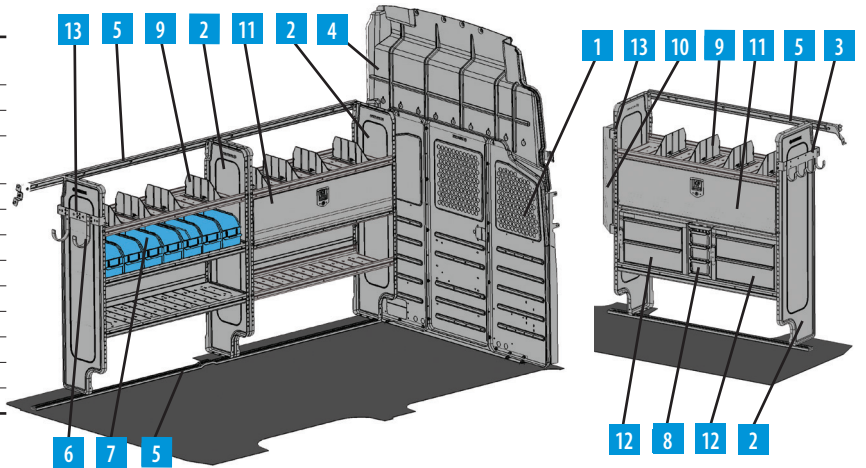
MSRP Value \$3945
Less Nissan Contribution
CUSTOMER RESPONSIBILITY: \$953

SECURITY STARTER PACKAGE (#4688NH)

MSRP Value \$4100
Less Nissan Contribution
CUSTOMER RESPONSIBILITY: \$953



ITEM	MODEL	DESCRIPTION	QTY
1	S1M2C2FSV	Steel Partition Panel Kit w/ Visibility	1
2	AD44LCV	Adjustable 3-Shelf Unit	3
3	TA1WAD	4-Hook Bar w/ Adapter	1
4	WKC1LCVH or WKC1LCVS	Steel Partition Mounting Kit Steel Partition Mounting Kit	1 1
5	RKLCV	Mounting Rail Kit	1
6	UH50	Utility Hook	2
7	BR76012	Bin Set for Adjustable Shelving	1
8	DC6	3-Drawer Unit	1
9	DV14C1	Shelf Divider	12
10	CB5	5-Slot Literature Rack	1
11	DK4210	Door Kit w/ Open Back	2
12	19	2-Drawer Unit w/ Lock	2
13	BRK14EPS	End Panel Bracket	3



SATELLITE INSTALLATION STARTER PACKAGE (#4689NS)

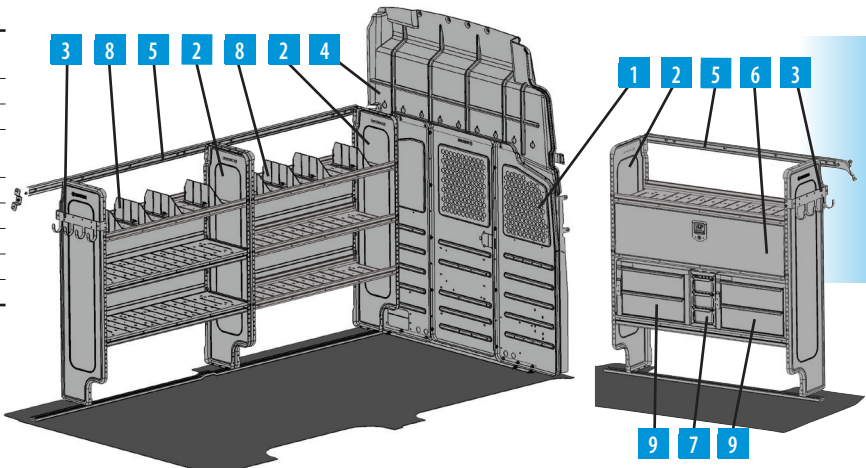
MSRP Value \$3345
Less Nissan Contribution
CUSTOMER RESPONSIBILITY: \$593

SATELLITE INSTALLATION STARTER PACKAGE (#4689NH)

MSRP Value \$3500
Less Nissan Contribution
CUSTOMER RESPONSIBILITY: \$593



ITEM	MODEL	DESCRIPTION	QTY
1	S1M2C2FSV	Steel Partition Panel Kit w/ Visibility	1
2	AD44LCV	Adjustable 3-Shelf Unit	3
3	TA1WAD	4-Hook Bar w/ Adapter	2
4	WKC1LCVH or WKC1LCVS	Steel Partition Mounting Kit Steel Partition Mounting Kit	1 1
5	RKLCV	Mounting Rail Kit	1
6	DK4210	Door Kit w/ Open Back	1
7	DC6	3-Drawer Unit	1
8	DV14C1	Shelf Divider	8
9	19	2-Drawer Unit w/ Lock	2



* Nissan Commercial Incentive Program provided by Nissan North America, Inc. for eligible NV Cargo vans.
* Program available only through Nissan Business Certified Dealers in the United States.

NISSAN COMMERCIAL INCENTIVE PROGRAM

NV CARGO - UPGRADE PACKAGES

HVAC STARTER PACKAGE (#4690NS)

MSRP Value \$4130

Less Nissan Contribution

CUSTOMER RESPONSIBILITY: \$1071

QUAD SHELF & STEEL PARTITION PACKAGE (#4690NH)

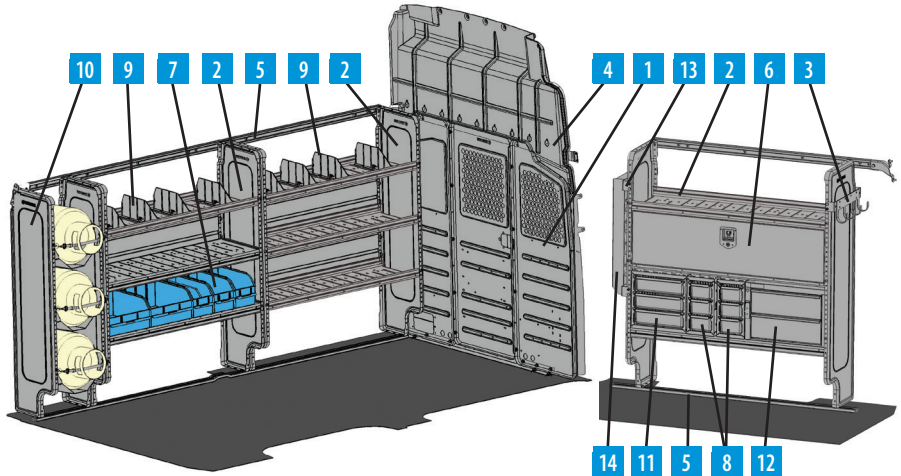
MSRP Value \$4285

Less Nissan Contribution

CUSTOMER RESPONSIBILITY: \$1071



ITEM	MODEL	DESCRIPTION	QTY
1	S1M2C2FSV	Steel Partition Panel Kit w/ Visibility	1
2	AD44LCV	Adjustable 3-Shelf Unit	3
3	TA1WAD	4-Hook Bar w/ Adapter	1
4	WKC1LCVH or WKC1LCVS	Steel Partition Mounting Kit	1
5	RKLCV	Mounting Rail Kit	1
6	DK4210	Door Kit w/ Open Back	1
7	BR36212	Bin Set for Adjustable Shelving	1
8	DC6	3-Drawer Unit	2
9	DV14C1	Shelf Divider	8
10	TH51FP	3-Shelf Tank Rack	1
11	DC12	3-Drawer Unit	1
12	19	2-Drawer Unit w/ Lock	1
13	BRK14EPS	End Panel Mounting Bracket	2
14	CB5	5-Slot Literature Rack	1



LOCKSMITH STARTER PACKAGE (#2255NS)

MSRP Value \$5870

Less Nissan Contribution

CUSTOMER RESPONSIBILITY: \$2052

ITEM	MODEL	DESCRIPTION	QTY
1	S1M2HC2FSV	Partition with Door	1
2	WKC1LCVS	Steel Partition Mounting Kit	1
3	RKLCV	Mounting Rail Kit	1
4	RKALCV	Mounting Rail Kit Adapter	1
5	MD506	Shelf and Drawer Module	1
6	MD608	Workbench Module (18"x26"x84")	1
7	17A	6-Shelf Catalog File	1
8	TA1	4-Hook Bar (not shown)	1



NV CARGO

LOCKSMITH STARTER PACKAGE (#2255NH)

MSRP Value \$6915

Less Nissan Contribution

CUSTOMER RESPONSIBILITY: \$2592

ITEM	MODEL	DESCRIPTION	QTY
1	S1M2HC2FSV	Partition with Door	1
2	WKC1LCVH	Steel Partition Mounting Kit	1
3	RKLCV	Mounting Rail Kit	1
4	RKALCV	Mounting Rail Kit Adapter	1
5	MD506	Shelf and Drawer Module	1
6	MD608NH	Workbench Module	1
7	17A	6-Shelf Catalog File	1
8	TA1	4-Hook Bar (not shown)	1

* Nissan Commercial Incentive Program provided by Nissan North America, Inc. for eligible NV Cargo vans.
* Program available only through Nissan Business Certified Dealers in the United States.

NISSAN COMMERCIAL INCENTIVE PROGRAM

NV CARGO - PROGRAM ACCESSORIES



STEEL PARTITION DOOR KIT (PDK1)

MSRP Value \$80

The PDK1 Partition Door Kit converts an M-Series fixed center panel into a hinged door with a keyed slam latch. Includes two 6" hinges, a bulb seal and a slam latch. These features reduce vibration noise.



MAX COMFORT STEEL PARTITION MOUNTING KIT (WKC1LCVS3) - std roof (WKC1LCVH3) - high roof

MSRP Value \$85

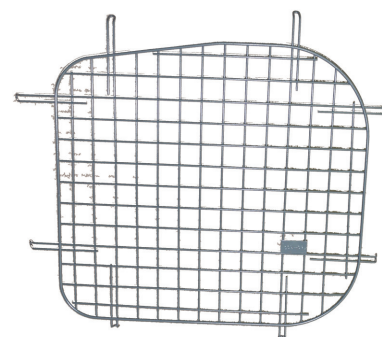
Upgrade to the Max Comfort Wing Kit and extend the amount of cab space you have by an additional 3 inches. (Reduces cargo area by 3".)



DOOR KIT W/ OPEN BACK (DK4208)

MSRP Value \$120

Simply bolts on to an AD44LCV Adjustable 3-Shelf Unit to transform an open shelf into a locking cabinet. Creates an 8" high cabinet that keeps expensive cargo out of sight. Features a recessed, key-locking T-handle.



Rear Doors Security Screen Kit (60-NRD)

MSRP Value \$150

Adds security to cargo area windows



Aluminum Conduit Kit, 10'6" (80-1LR)

MSRP Value \$615

Transport conduit safely on the top of your standard roof NV Cargo. The Aluminum Conduit Carrier's two piece design features a lift-up door with a spring assist for easy access and lockable swivel closure for security. Constructed with .063" diamond tread aluminum with a bolt-on plate at the front to allow access to the front end of the carrier.

NV CARGO

NISSAN COMMERCIAL INCENTIVE PROGRAM

NV200 COMPACT CARGO - INCENTIVE OFFERS

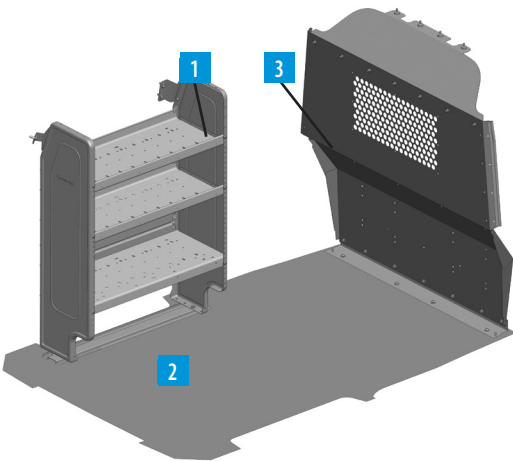
BASE STARTER PACKAGE

One ADseries Shelf and Steel Partition
(#4959)

MSRP Value \$1090

NO CHARGE!

ITEM	MODEL	DESCRIPTION	QTY
1	AD32FP	Adjustable 3-Shelf Unit	1
2	RKNV2-SS	Driver Side Mounting Plate Kit	1
3	P2NV2S	Steel Partition w/ Visibility	1



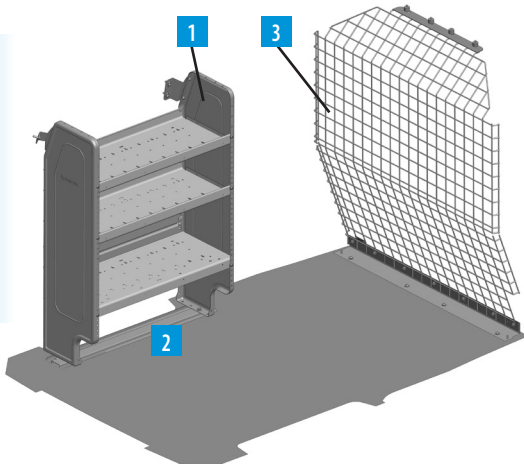
BASE STARTER PACKAGE

One ADseries Shelf and Wire Partition
(#4960)

MSRP Value \$915

NO CHARGE!

ITEM	MODEL	DESCRIPTION	QTY
1	AD32FP	Adjustable 3-Shelf Unit	1
2	RKNV2-SS	Driver Side Mounting Plate Kit	1
3	P2NV2FW	Wire Partition	1



NV200

For the latest information on the Nissan Commercial Incentive Program, please contact your Nissan Commercial Vehicle Dealer.

NISSAN COMMERCIAL INCENTIVE PROGRAM

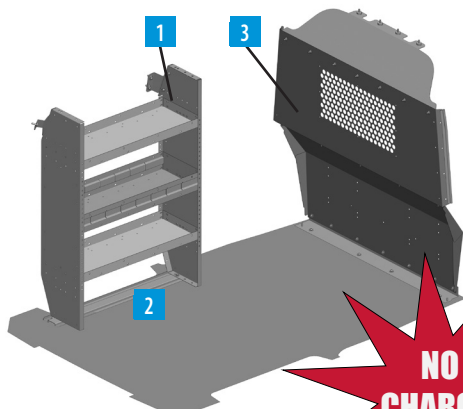
NV200 COMPACT CARGO - INCENTIVE OFFERS

BASE STARTER PACKAGE

One HD Series Shelf and Steel Partition
(#4961)

MSRP Value \$1150

NO CHARGE!



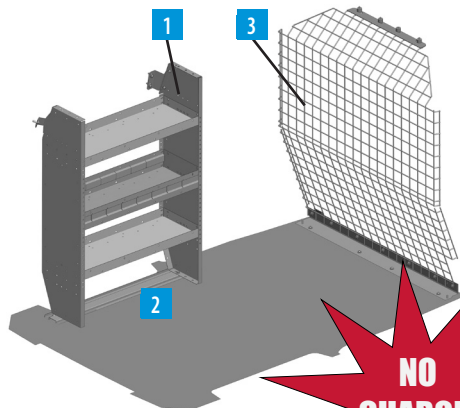
ITEM	MODEL	DESCRIPTION	QTY
1	HD-32NV2	4-Shelf Unit	1
2	RKNV2-SS	Driver Side Mounting Plate Kit	1
3	P2NV2S	Steel Partition w/ Visibility	1

BASE STARTER PACKAGE

One HD Series Shelf and Wire Partition
(#4962)

MSRP Value \$940

NO CHARGE!



ITEM	MODEL	DESCRIPTION	QTY
1	HD-32NV2	4-Shelf Unit	1
2	RKNV2-SS	Driver Side Mounting Plate Kit	1
3	P2NV2FW	Wire Partition	1

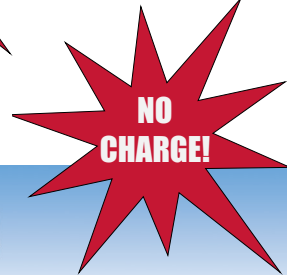
WIRE PARTITION W/ UTILITY RACK STARTER PACKAGE

(#4963)

MSRP Value \$1095

NO CHARGE!

ITEM	MODEL	DESCRIPTION	QTY
1	2BNV2	2-Bar Utility Rack	1
2	P2NV2FW	Wire Partition	1



NV200

* Nissan Commercial Incentive Program provided by Nissan North America, Inc. for eligible NV200 Compact Cargo vans.
 * Program available only through Nissan Business Certified Dealers in the United States.

NISSAN COMMERCIAL INCENTIVE PROGRAM

NV200 COMPACT CARGO - UPGRADE PACKAGES

DUAL SHELF STARTER PACKAGE

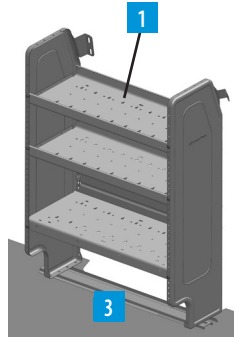
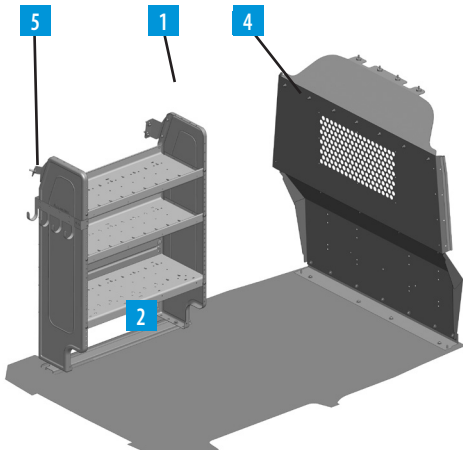
Includes two 32" ADseries Shelves
(#4964)

MSRP Value \$1665

Less Nissan Contribution

CUSTOMER RESPONSIBILITY: \$432

ITEM	MODEL	DESCRIPTION	QTY
1	AD32FP	Adjustable 3-Shelf Unit	2
2	RKNV2-SS	Driver Side Mounting Plate Kit	1
3	RKNV2-CS	Passenger Side Mounting Plate Kit	1
4	P2NV2S	Steel Partition w/ Visibility	1
5	TA1WAD	Hook Bar	1



DUAL SHELF STARTER PACKAGE

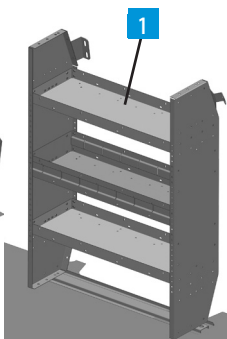
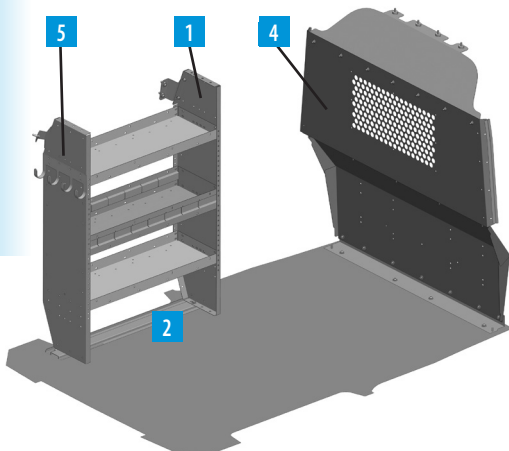
Includes two 32" HD Series Shelves
(#4965)

MSRP Value \$1735

Less Nissan Contribution

CUSTOMER RESPONSIBILITY: \$486

ITEM	MODEL	DESCRIPTION	QTY
1	HD-32NV2	4-Shelf Unit	2
2	RKNV2-SS	Driver Side Mounting Plate Kit	1
3	RKNV2-CS	Passenger Side Mounting Plate Kit	1
4	P2NV2S	Steel Partition w/ Visibility	1
5	TA1	Hook Bar	1



NV200

NISSAN COMMERCIAL INCENTIVE PROGRAM

NV200 COMPACT CARGO - UPGRADE PACKAGES

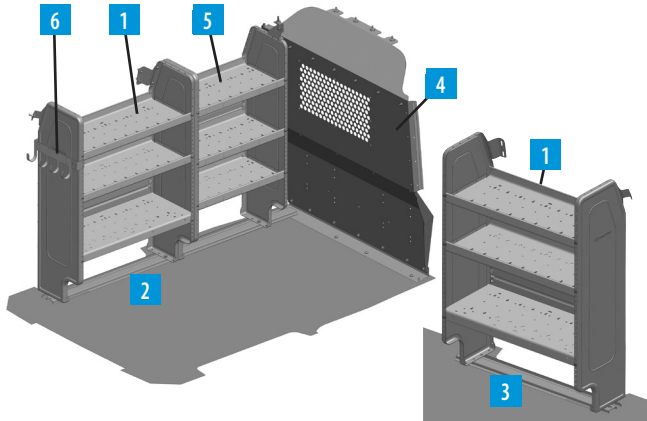
TRIPLE SHELF STARTER PACKAGE

Includes two 32" & one 28" ADseries Shelves
(#4966)

MSRP Value \$2055

Less Nissan Contribution

CUSTOMER RESPONSIBILITY: \$702



ITEM	MODEL	DESCRIPTION	QTY
1	AD32FP	Adjustable 3-Shelf Unit	2
2	RK67NV2-SS	Driver Side Mounting Rail Kit	1
3	RKNV2-CS	Passenger Side Mounting Plate Kit	1
4	P2NV2S	Steel Partition w/ Visibility	1
5	AD28NV2	Adjustable 3-Shelf Unit	1
6	TA1WAD	4-Hook Bar w/ Adapter	1

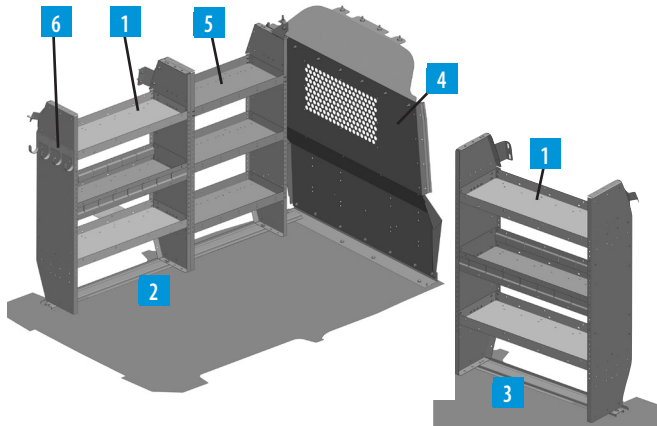
TRIPLE SHELF STARTER PACKAGE

Includes two 32" & one 28" HD Series Shelves
(#4967)

MSRP Value \$2200

Less Nissan Contribution

CUSTOMER RESPONSIBILITY: \$810



ITEM	MODEL	DESCRIPTION	QTY
1	HD-32NV2	4-Shelf Unit	2
2	RK67NV2-SS	Driver Side Mounting Rail Kit	1
3	RKNV2-CS	Passenger Side Mounting Plate Kit	1
4	P2NV2S	Steel Partition w/ Visibility	1
5	HD-28NV2	3-Shelf Unit	1
6	TA1	4-Hook Bar	1

LADDER RACK & PARTITION STARTER PACKAGE

(#4968)

MSRP Value \$1950

Less Nissan Contribution

CUSTOMER RESPONSIBILITY: \$648

ITEM	MODEL	DESCRIPTION	QTY
1	63-NV2	Double Grip Lock Ladder Rack	1
2	P2NV2S	Steel Partition w/ Visibility	1

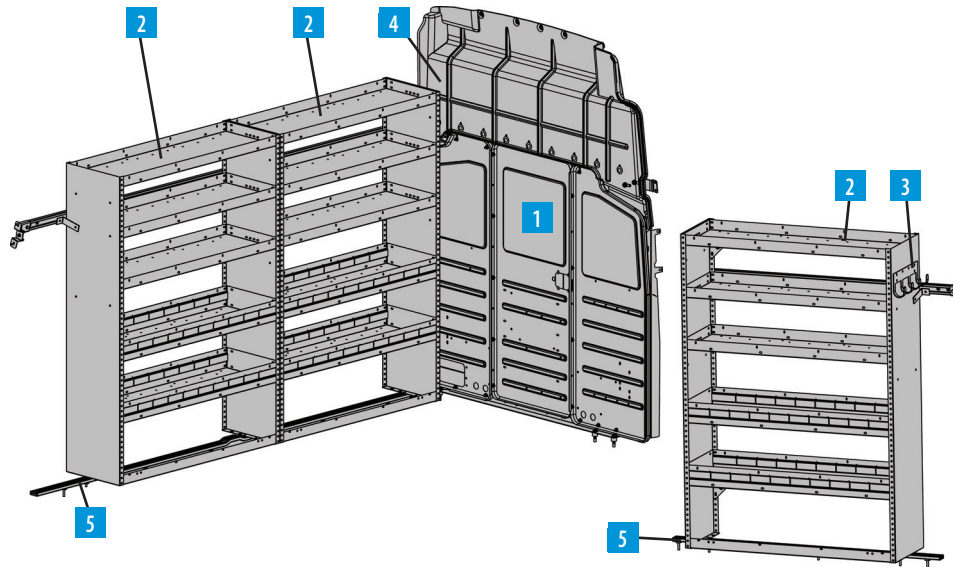


NV200

* Nissan Commercial Incentive Program provided by Nissan North America, Inc. for eligible NV Cargo vans.
 * Program available only through Nissan Business Certified Dealers in the United States.

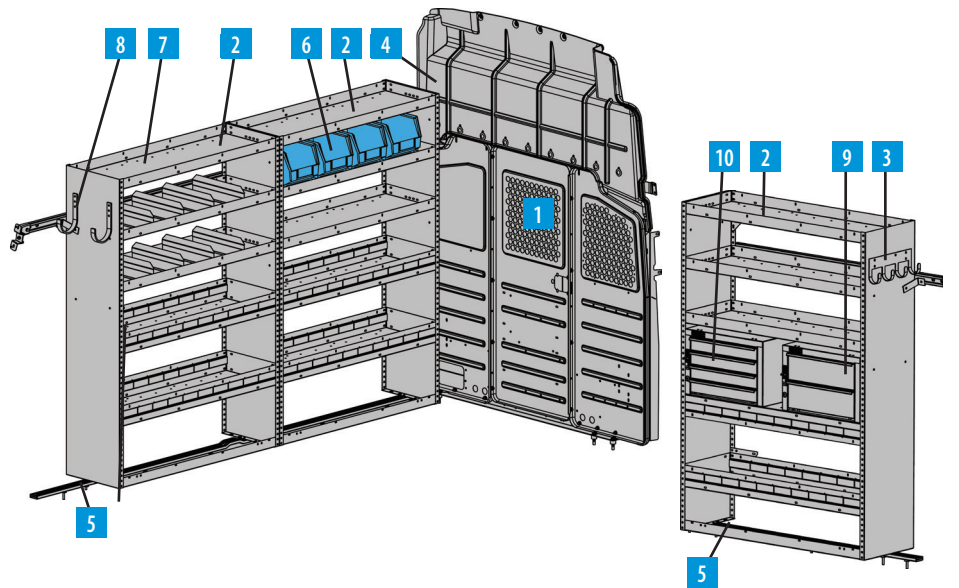
5074NH CARGO MANAGEMENT STARTER PACKAGE NV Cargo High Roof

ITEM	MODEL	DESCRIPTION	QTY
1	S1M2C2FSV	Steel Partition Panel Kit w/ Visibility	1
2	HD42NVH	5-Shelf Unit	3
3	TA1	4-Hook Bar	1
4	WKC1LCVH	Steel Partition Mounting Kit	1
5	RKLCV	Mounting Rail Kit	1



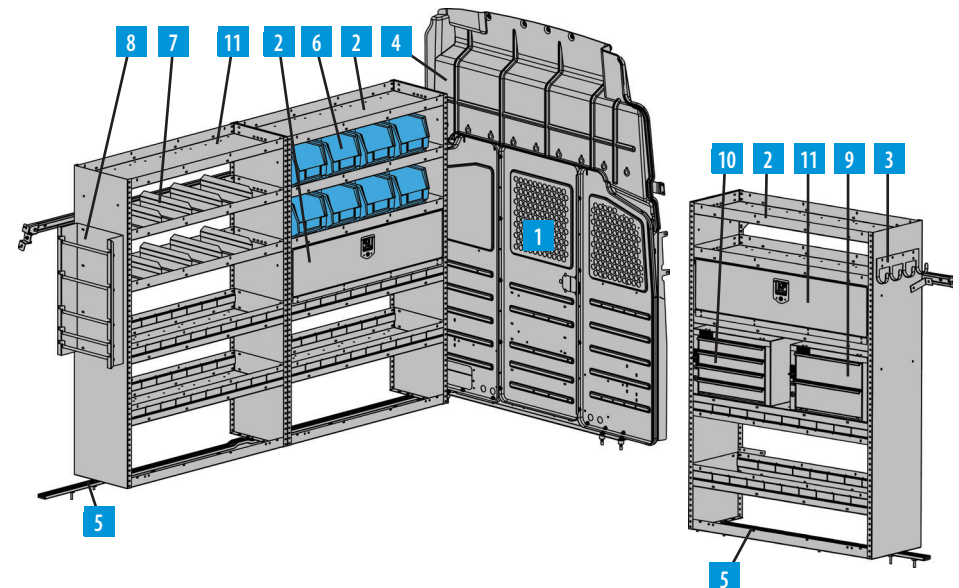
5075NH GENERAL SERVICE PACKAGE NV Cargo High Roof

ITEM	MODEL	DESCRIPTION	QTY
1	S1M2C2FSV	Steel Partition Panel Kit w/ Visibility	1
2	HD42NVH	5-Shelf Unit	3
3	TA1	4-Hook Bar	1
4	WKC1LCVH	Steel Partition Mounting Kit	1
5	RKLCV	Mounting Rail Kit	1
6	28	Parts Bin	4
7	DV14	Shelf Divider	8
8	UH50	Utility Hook	2
9	19	2-Drawer Unit w/ Lock	1
10	9	4-Drawer Unit w/ Lock	1



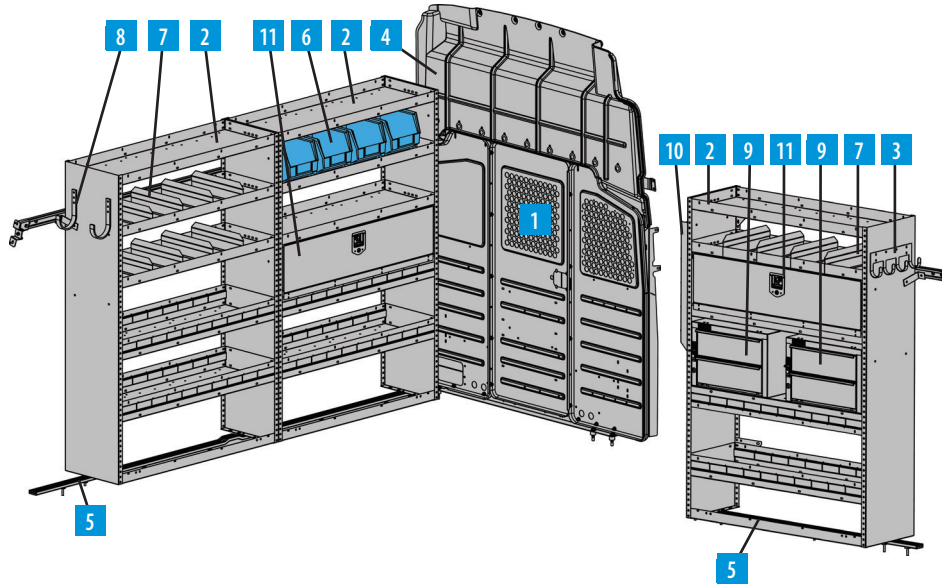
5076NH ELECTRICAL STARTER PACKAGE NV Cargo High Roof

ITEM	MODEL	DESCRIPTION	QTY
1	S1M2C2FSV	Steel Partition Panel Kit w/ Visibility	1
2	HD42NVH	5-Shelf Unit	3
3	TA1	4-Hook Bar	1
4	WKC1LCVH	Steel Partition Mounting Kit	1
5	RKLCV	Mounting Rail Kit	1
6	28	Parts Bin	8
7	DV14	Shelf Divider	8
8	WRH5	5-Bar Spool Holder	1
9	19	2-Drawer Unit w/ Lock	1
10	9	4-Drawer Unit w/ Lock	1
11	DK542	Door Kit w/ Back Panel/ Back Panel	2



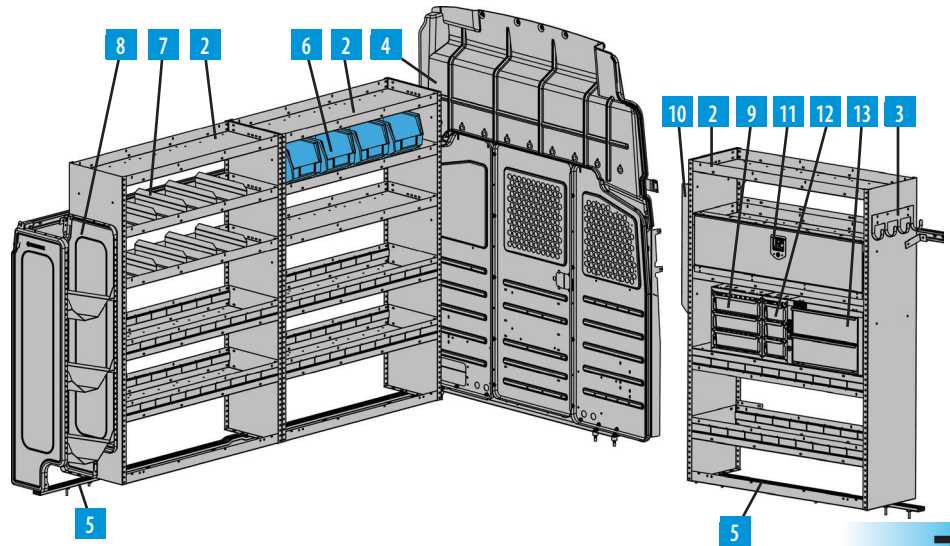
**5077NH
SECURITY STARTER PACKAGE
NV Cargo High Roof**

ITEM	MODEL	DESCRIPTION	QTY
1	S1M2C2FSV	Steel Partition Panel Kit w/ Visibility	1
2	HD42NVH	5-Shelf Unit	3
3	TA1	4-Hook Bar	1
4	WKC1LCVH	Steel Partition Mounting Kit	1
5	RKLCV	Mounting Rail Kit	1
6	28	Parts Bin	4
7	DV14	Shelf Divider	12
8	UH50	Utility Hook	2
9	19	2-Drawer Unit w/ Lock	2
10	CB5	5-Slot Literature Rack	1
11	DK542	Door Kit w/ Back Panel	2



**5079NH
HVAC STARTER PACKAGE
NV Cargo High Roof**

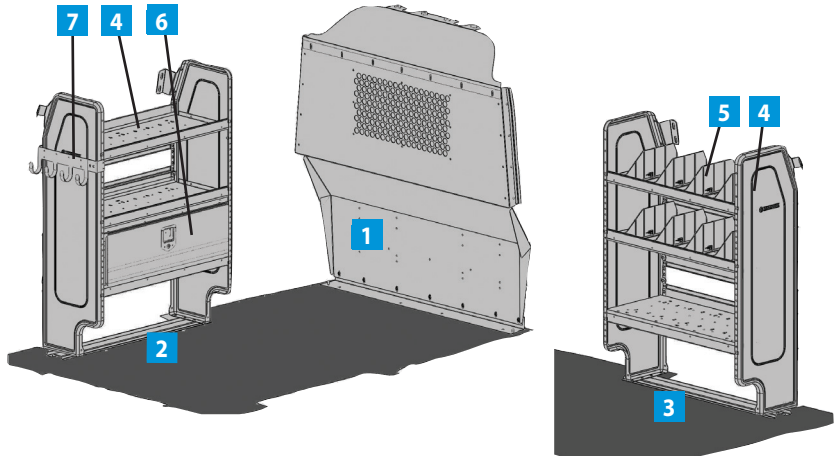
ITEM	MODEL	DESCRIPTION	QTY
1	S1M2C2FSV	Steel Partition Panel Kit w/ Visibility	1
2	HD42NVH	5-Shelf Unit	3
3	TA1	4- Hook Bar	1
4	WKC1LCVH	Steel Partition Mounting Kit	1
5	RKLCV	Mounting Rail Kit	1
6	28	Parts Bin	4
7	DV14	Shelf Divider	8
8	TH51FP	3-Shelf Tank Rack	1
9	DC12	3-Drawer Unit	1
10	CB5	5-Slot Literature Rack	1
11	DK542	Door Kit w/ Back Panel	1
12	DC6	3-Drawer Unit	1
13	19	2-Drawer Unit w/ Lock	1



NV CARGO

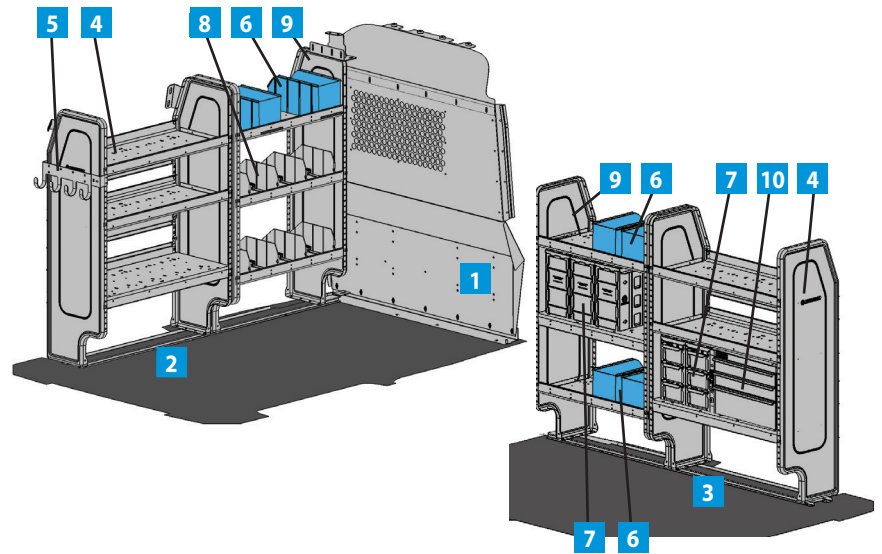
**5098
SATELLITE INSTALLATION STARTER
PACKAGE
NV200 Compact Cargo**

ITEM	MODEL	DESCRIPTION	QTY
1	P2NV2S	Steel Partition w/ Visibility	1
2	RKNV2-SS	Driver Side Mounting Plate Kit	1
3	RKNV2-CS	Passenger Side Mounting Plate Kit	1
4	AD32FP	Adjustable 3-Shelf Unit	2
5	DV14C8	14" Shelf Dividers	1
6	DK532	Door Kit w/ Back Panel	1
7	TA1WAD	4-Hook Bar w/ Adapter	1



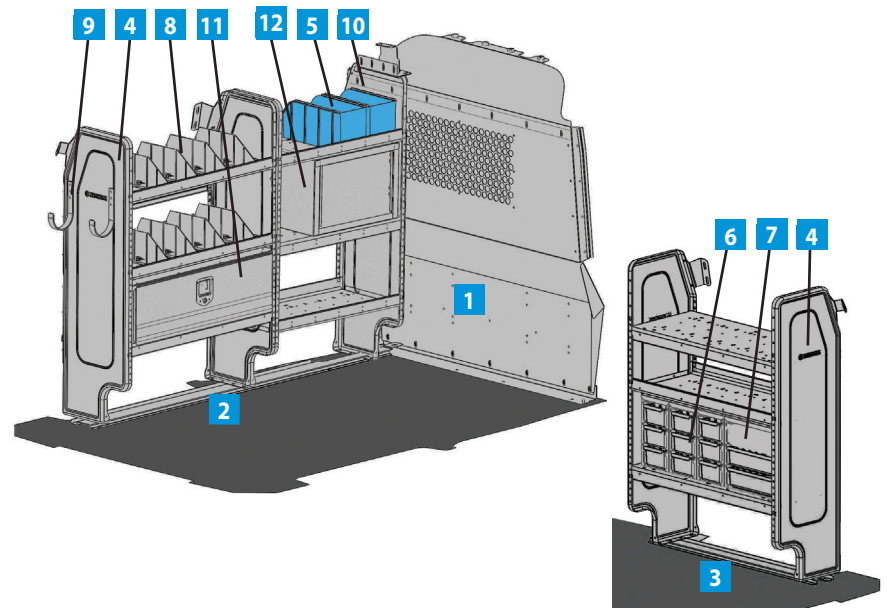
**5100
GENERAL SERVICE STARTER PACKAGE
NV200 Compact Cargo**

ITEM	MODEL	DESCRIPTION	QTY
1	P2NV2S	Steel Partition w/ Visibility	1
2	RK67NV2-SS	Driver Side Mounting Rail Kit	1
3	RK67NV2-CS	Passenger Side Mounting Rail Kit	1
4	AD32FP	Adjustable 3-Shelf Unit	2
5	TA1WAD	4-Hook Bar w/ Adapter	1
6	SBIN060614	Snap In Bin	6
7	DC6	3-Drawer Unit	5
8	DV14C8	14" Shelf Dividers	1
9	AD28NV2	Adjustable 3-Shelf Unit	2
10	919	3-Drawer Unit w/ Lock	1



**5097
SATELLITE INSTALLATION STARTER
PACKAGE
NV200 Compact Cargo**

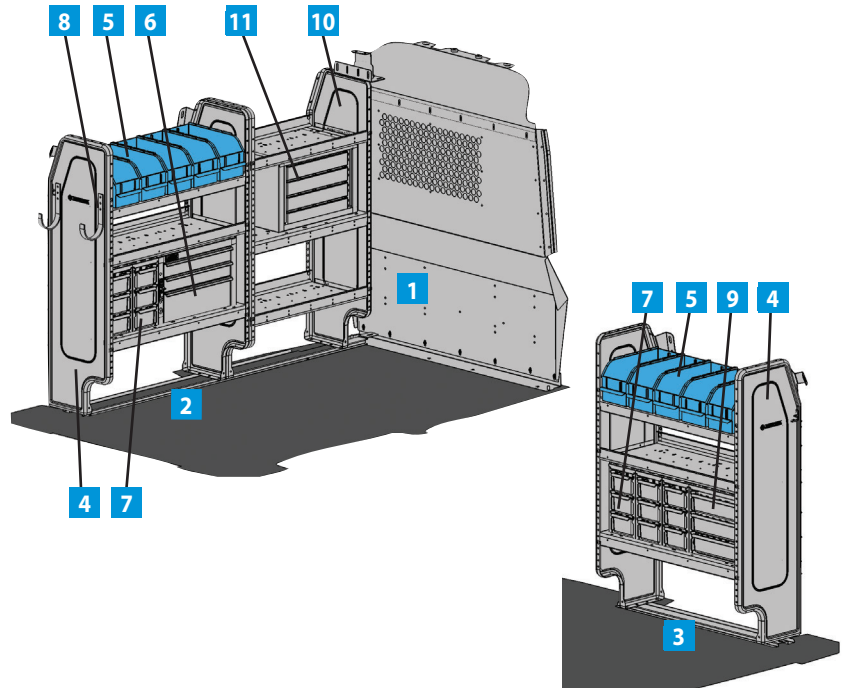
ITEM	MODEL	DESCRIPTION	QTY
1	P2NV2S	Steel Partition w/ Visibility	1
2	RK67NV2-SS	Driver Side Mounting Rail Kit	1
3	RKNV2-CS	Passenger Side Mounting Plate Kit	1
4	AD32FP	Adjustable 3-Shelf Unit	2
5	SBIN060614	Snap In Bin	2
6	DC6	3-Drawer Unit	3
7	DC12	3-Drawer Unit	1
8	DV14C8	14" Shelf Dividers	1
9	UH50	Utility Hook	2
10	AD28NV2	Adjustable 3-Shelf Unit	1
11	DK532	Door Kit w/ Back Panel	1
12	19	2-Drawer Unit w/ Lock	1



NV200

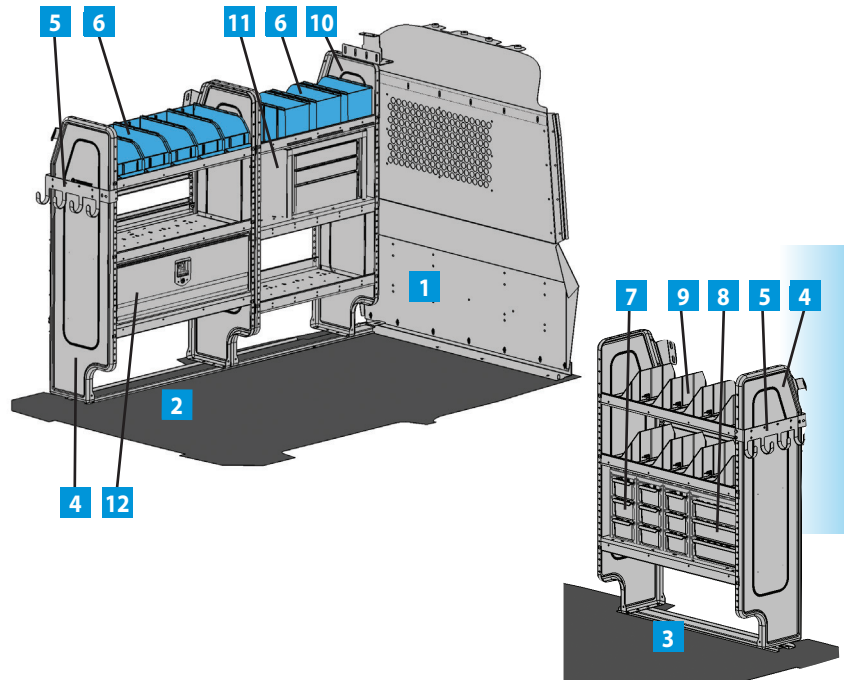
**5096
PLUMBING STARTER PACKAGE
NV200 Compact Cargo**

ITEM	MODEL	DESCRIPTION	QTY
1	P2NV2S	Steel Partition w/ Visibility	1
2	RK67NV2-SS	Driver Side Mounting Rail Kit	1
3	RKNV2-CS	Passenger Side Mounting Plate Kit	1
4	AD32FP	Adjustable 3-Shelf Unit	2
5	SBIN060614	Snap In Bin	10
6	919	3-Drawer Unit w/ Lock	1
7	DC6	3-Drawer Unit	5
8	UH50	Utility Hook	2
9	DC12	3-Drawer Unit	1
10	AD28NV2	Adjustable 3-Shelf Unit	1
11	9	4-Drawer Unit w/ Lock	1
12	SRAILAD32	32" Bin Rail	2
13	BAGSRAIL	Fastener Bag	1



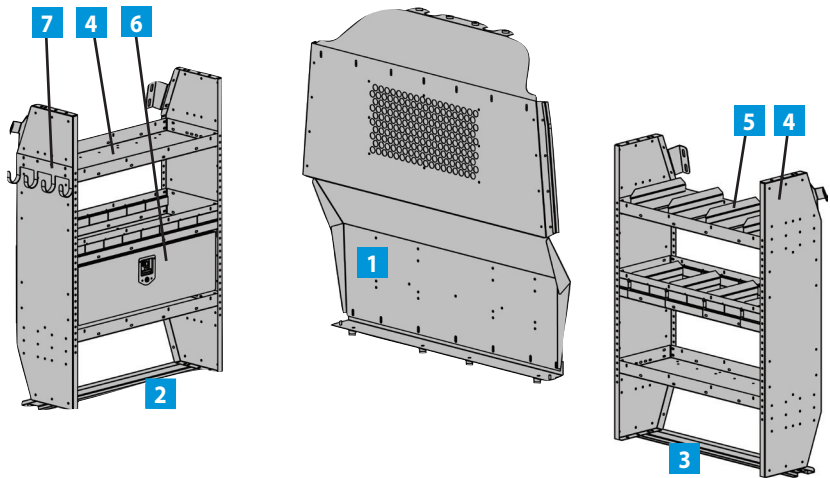
**5099
ELECTRICAL STARTER PACKAGE
NV200 Compact Cargo**

ITEM	MODEL	DESCRIPTION	QTY
1	P2NV2S	Steel Partition w/ Visibility	1
2	RK67NV2-SS	Driver Side Mounting Rail Kit	1
3	RKNV2-CS	Passenger Side Mounting Plate Kit	1
4	AD32FP	Adjustable 3-Shelf Unit	2
5	TA1WAD	4-Hook Bar w/ Adapter	2
6	SBIN060614	Snap In Bin	8
7	DC6	3-Drawer Unit	3
8	DC12	3-Drawer Unit	1
9	DV14C8	14" Shelf Dividers	1
10	AD28NV2	Adjustable 3-Shelf Unit	1
11	919	3-Drawer Unit w/ Lock	1
12	DK532	Door Kit w/ Back Panel	1
13	SRAILAD32	32" Bin Rail	1
14	BAGSRAIL	Fastener Bag	1



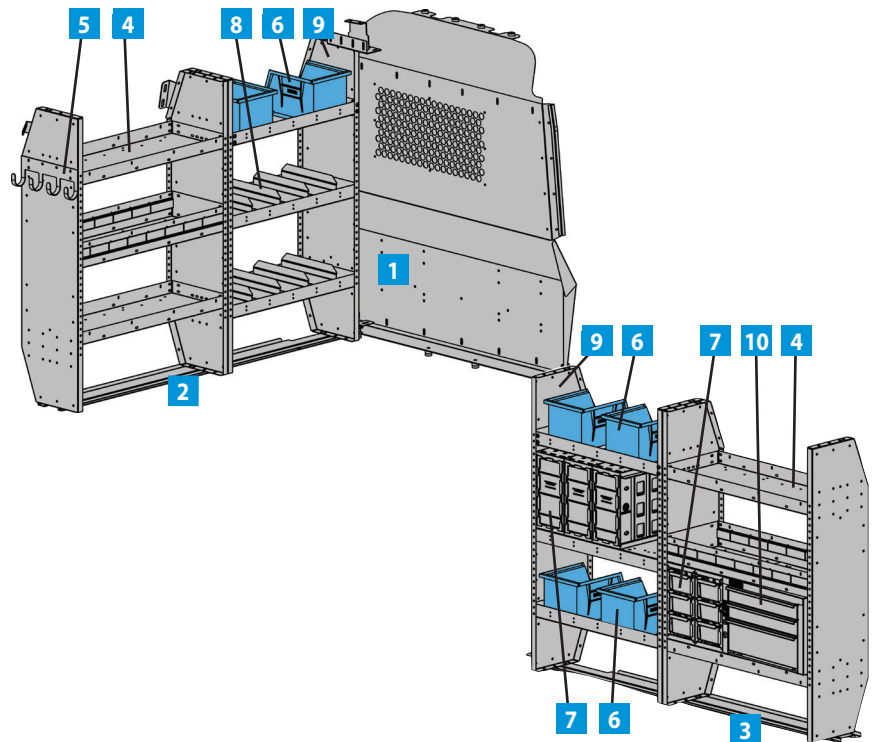
5082
COMMERCIAL STARTER PACKAGE
 NV200 Compact Cargo

ITEM	MODEL	DESCRIPTION	QTY
1	P2NV2S	Steel Partition w/ Visibility	1
2	RKNV2-SS	Driver Side Mounting Plate Kit	1
3	RKNV2-CS	Passenger Side Mounting Plate Kit	1
4	HD-32NV2	4-Shelf Unit	2
5	DV12	Shelf Divider	6
6	DK532	Door Kit w/ Back Panel	1
7	TA1	4-Hook Bar	1



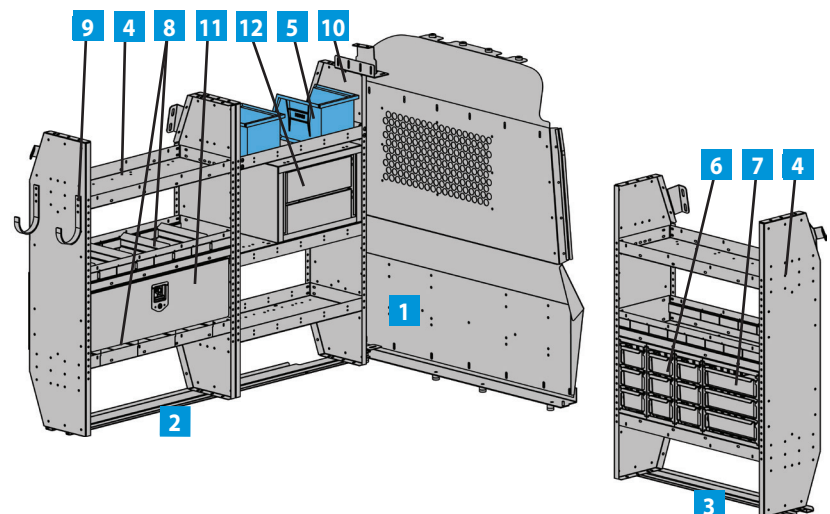
5084
GENERAL SERVICE STARTER PACKAGE
 NV200 Compact Cargo

ITEM	MODEL	DESCRIPTION	QTY
1	P2NV2S	Steel Partition w/ Visibility	1
2	RK67NV2-SS	Driver Side Mounting Rail Kit	1
3	RK67NV2-CS	Passenger Side Mounting Rail Kit	1
4	HD-32NV2	4-Shelf Unit	2
5	TA1	4-Hook Bar	1
6	28	Parts Bin	6
7	DC6	3-Drawer Unit	5
8	DV12	Shelf Divider	8
9	HD-28NV2	3-Shelf Unit	2
10	919	3-Drawer Unit w/ Lock	1



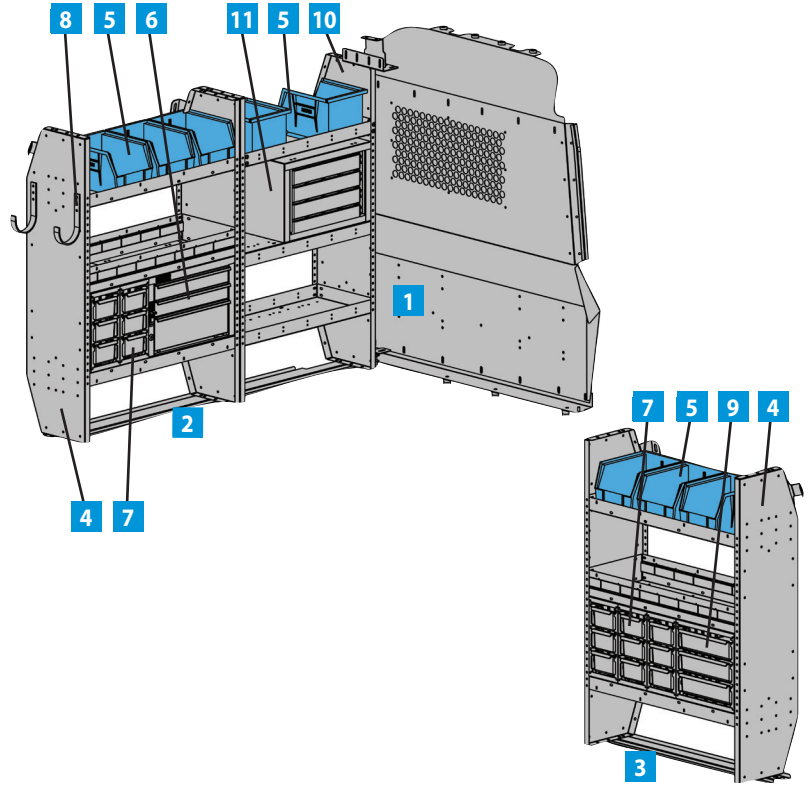
5081
SATELLITE INSTALLATION STARTER PACKAGE
 NV200 Compact Cargo

ITEM	MODEL	DESCRIPTION	QTY
1	P2NV2S	Steel Partition w/ Visibility	1
2	RK67NV2-SS	Driver Side Mounting Rail Kit	1
3	RKNV2-CS	Passenger Side Mounting Plate Kit	1
4	HD-32NV2	4-Shelf Unit	2
5	28	Parts Bin	2
6	DC6	3-Drawer Unit	3
7	DC12	3-Drawer Unit	1
8	DV12	Shelf Divider	8
9	UH50	Utility Hook	2
10	HD-28NV2	3-Shelf Unit	1
11	DK532	Door Kit w/ Back Panel	1
12	19	2-Drawer Unit w/ Lock	1



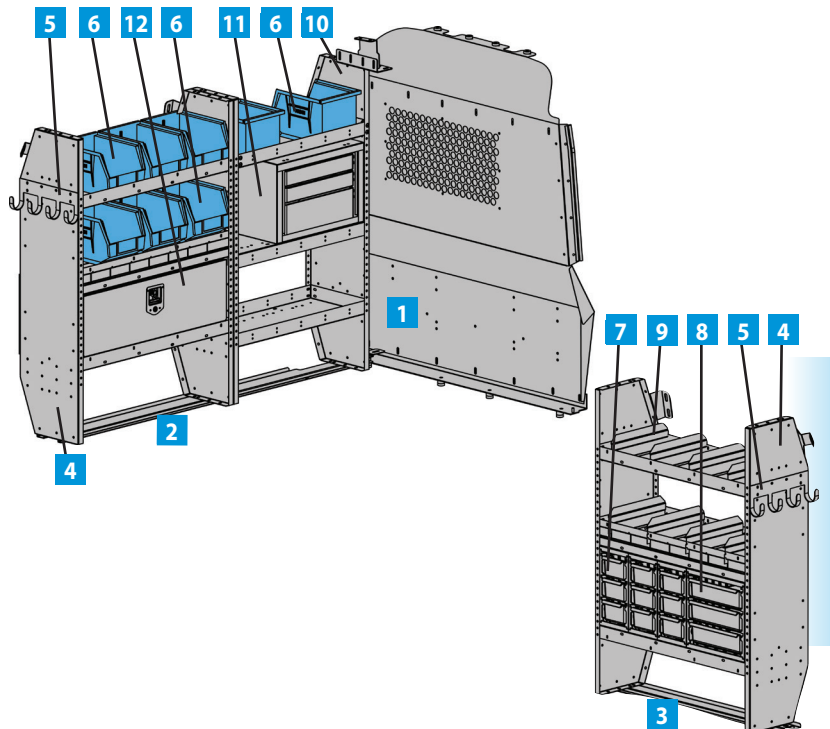
**5080
PLUMBING STARTER PACKAGE
NV200 Compact Cargo**

ITEM	MODEL	DESCRIPTION	QTY
1	P2NV2S	Steel Partition w/ Visibility	1
2	RK67NV2-SS	Driver Side Mounting Rail Kit	1
3	RKNV2-CS	Passenger Side Mounting Plate Kit	1
4	HD-32NV2	4-Shelf Unit	2
5	28	Parts Bin	8
6	919	3-Drawer Unit w/ Lock	1
7	DC6	3-Drawer Unit	5
8	UH50	Utility Hook	2
9	DC12	3-Drawer Unit	1
10	HD-28NV2	3-Shelf Unit	1
11	9	4-Drawer Unit w/ Lock	1



**5083
ELECTRICAL STARTER PACKAGE
NV200 Compact Cargo**

ITEM	MODEL	DESCRIPTION	QTY
1	P2NV2S	Steel Partition w/ Visibility	1
2	RK67NV2-SS	Driver Side Mounting Rail Kit	1
3	RKNV2-CS	Passenger Side Mounting Plate Kit	1
4	HD-32NV2	4-Shelf Unit	2
5	TA1	4-Hook Bar	2
6	28	Parts Bin	8
7	DC6	3-Drawer Unit	3
8	DC12	3-Drawer Unit	1
9	DV12	Shelf Divider	8
10	HD-28NV2	3-Shelf Unit	1
11	919	3-Drawer Unit w/ Lock	1
12	DK532	Door Kit	1



NV200

ADRIAN STEEL PARTITIONS KEEP CARGO WHERE IT BELONGS, IN THE CARGO AREA!

Stamped steel partitions are available for both Nissan NV Cargo Standard and High Roof vans. The perforated panels allow for side and rear visibility, while increasing cab area climate control. Max Comfort Wing Kits allow for 3 inches of additional front seat adjustability for more cab and leg room. Partition accessories can be attached for easy reach.



Shown: S1M2C2FSV Steel Partition Panel Kit w/ Visibility WKC1LCVH Steel Partition Mounting Kit.

S1 Solid
S2 Perforated Top
Panels mount behind driver seat.

M1 Solid
M2 Perforated Top
Fixed center panels can be hinged as key-locking doors

C1 Solid
C2 Perforated Top
Panels mount behind passenger seat

Max Comfort Wing Kit
Partition setback allows for 3" of additional front seat adjustability for more cab and leg room. (Reduces cargo space by 3".)

S-M-C SERIES PARTITIONS

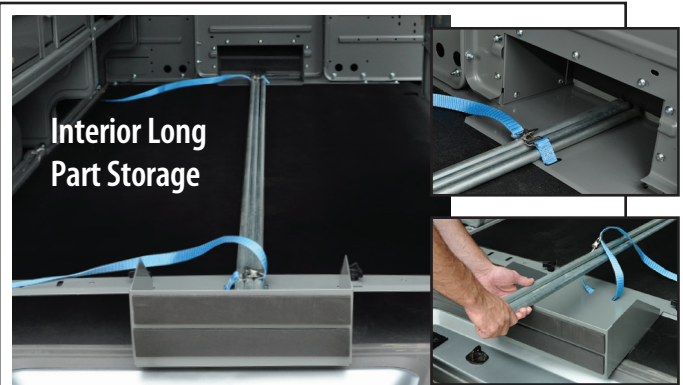
- Choose from solid or perforated panels.
- Partition mounts behind the B-pillar allowing for maximum cab comfort.
- Center M panels can be fixed or hinged with a key-locking door. All hinged door partitions come standard with two 6" hinges, bulb seal and a slam latch. These features reduce vibration noise.
- Partitions feature pre-drilled holes for adding accessories easily, and larger pass-through holes for routing wiring.
- Stamped steel panels reduce product weight without sacrificing strength.

Note: Extended wing kits reduce the amount of cargo space. Please confirm the interior layout of the van package to confirm that the extended wing kit has adequate room needed for installation.



Shown: S1M2C2FSV Steel Partition Panel Kit w/ Visibility WKC1LCVS Steel Partition Mounting Kit.

PARTITION PANEL KIT PART NUMBER	
FIXED CENTER PANEL	
SOLID PANELS	S1M1C1FSV
CENTER PANEL PERF. TOP ONLY	S1M2C1FSV
PERF. CENTER & CURB PANELS	S1M2C2FSV
ALL PANELS PERFORATED	S2M2C2FSV
HINGED CENTER PANEL "DOOR"	
SOLID PANELS	S1M1HC1FSV
CENTER PANEL PERF. TOP ONLY	S1M2HC1FSV
PERF. CENTER & CURB PANELS	S1M2HC2FSV
ALL THREE PANELS PERFORATED	S2M2HC2FSV
STEEL PARTITION MOUNTING KIT	
STANDARD ROOF	WKC1LCVS - MAX CARGO
	WKC1LCVS3 - MAX COMFORT
HIGH ROOF	WKC1LCVH - MAX CARGO
	WKC1LCVH3 - MAX COMFORT



Carry 10 feet of conduit or pipe inside your NV Cargo with the Long Part Storage Kit!

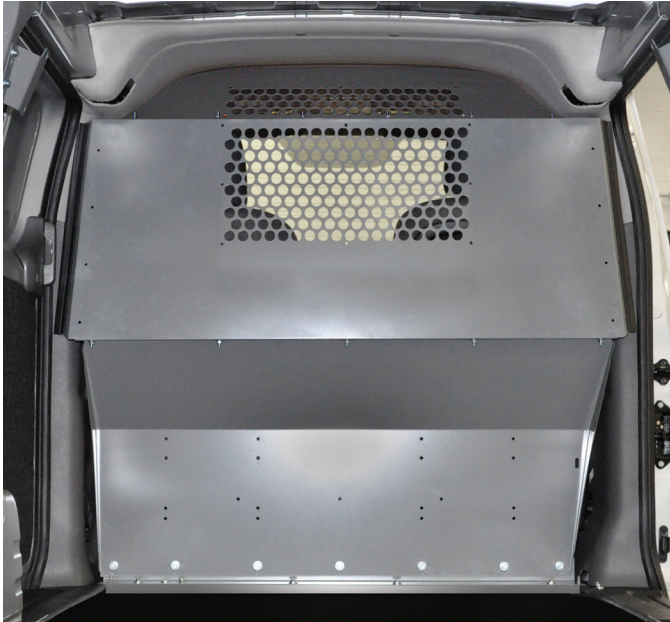
The modified middle partition panel has an extended box which has a 13 3/4" wide by 5 3/4" high opening in the M panel. Tie down straps are provided at the front and the rear of the product to secure the load. The rear tray is positioned to contain the cargo and protect the rear doors. Fits late model Adrian Steel SMC partitions only. Not compatible with hinged door partition option.

MODEL	DESCRIPTION
M1FLP	Middle Partition Panel w/ Long Parts Storage
M2FLP	Middle Partition Panel w/ Visibility & Long Parts Storage
S1M1C1FLP	Steel Partition Panel Kit w/ Long Parts Storage
S1M2C1FLP	Steel Partition Panel Kit w/ Long Parts Storage & Visibility
S1M2C2FLP	Steel Partition Panel Kit w/ Long Parts Storage & Visibility

NV CARGO

STEEL AND WIRE PARTITION OPTIONS FOR THE NEW NV200 COMPACT CARGO

Whether you are looking for climate control or maximum visibility, Adrian steel offers two partition options for the new NV200 Compact Cargo van. Both options securely separate the cab from the cargo area.



Best choice for climate control and noise reduction!



P2NV2S Steel Partition w/ Visibility

- Features all steel panels to safeguard the cab area against moving or shifting cargo.
- Recessed design allows for maximum adjustability of front seats.
- Perforated window provides full visibility of your cargo area and rear windows.
- Steel header and full perimeter wings provide optimal security.
- Recessed bottom panel provides room for a 6 foot step ladder or other accessories.

Note: Wing kits are not needed.



P2NV2FW Wire Partition

- Provides maximum visibility while safeguarding your van cab area against moving, shifting cargo.
- Recessed design allows for maximum adjustability of your driver and passenger seats.
- Lightweight and economical, without sacrificing safety and security.



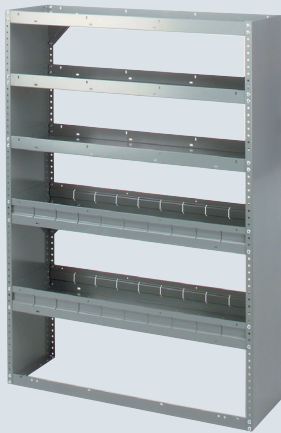
NV200

EXCLUSIVELY FROM ADRIAN STEEL: A SHELVING PLATFORM THAT ALLOWS YOU TO PUT SHELVES WHERE YOU WANT THEM, NOT WHERE WE THINK YOU NEED THEM!

ADseries is the next generation of cargo management solutions, engineered to optimize your work van storage and accessibility. Featuring truly ADjustable shelves, an ADaptable rail system, heavy-duty shelves and an ADvanced stamped steel end panel designed to accommodate the diverse range of cargo you need to get the job done. ADseries is ADrian made and backed by our industry-leading 3 year/36,000 mile warranty.

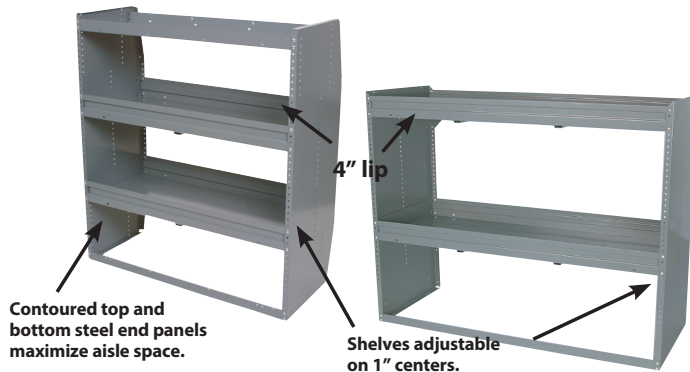


ALSO AVAILABLE: 60 SERIES SHELVING FOR THE NV CARGO HIGH ROOF



The HD (heavy-duty) Series
Utilize the height of your high roof NV Cargo with heavy-duty adjustable shelving. Features five adjustable shelves. Shelf gussets, end panel braces and full floor-rail provide extra strength.

MODEL	OVERALL SIZE
HD32NVH	32" x 60" x 14"
HD42NVH	42" x 60" x 14"
HD52NVH	52" x 60" x 14"



JD SERIES JUMBO DEEP SHELVING

- Available in 18" and 24" depths.
 - Shelf gussets and floor rail provide extra strength.
 - 18" deep units contain one 14" and two 18" deep shelves.
 - 24" deep units have squared end panels and two shelves.
- See chart.

MODEL	OVERALL SIZE	OPEN SHELF SPACE
JD42FP	42"W x 46"H x 18"D	14.58 sq ft
JD52FP	52"W x 46"H x 18"D	18.56 sq ft
JD48FP	48"W x 48"H x 24"D	20.21 sq ft
JD60FP	60"W x 48"H x 24"D	20 sq ft

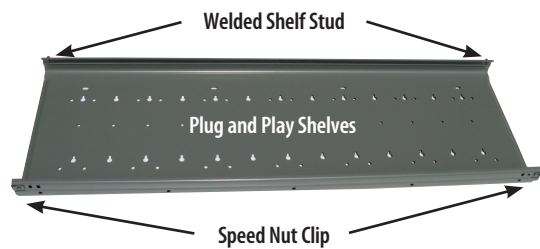
ADVANCED DESIGN

Stamped steel end panels and shelves, ADseries components are strong, durable and ready to work hard. 6" knock out provides a 48" floor space to accommodate 4'x 8' sheet goods (up to 22 sheets of 1/4" drywall or a combination of thicknesses).

Nissan NV Cargo end panels provide 38.75" between the panels from the top to bottom maximizing aisle space.

ADJUSTABLE SHELVES

Tools, equipment and cargo come in all shapes and sizes and until now, there hasn't been a shelving unit that is truly adjustable. The ADseries is the first of it's kind where, with only a screwdriver, you can simply remove the front shelf bolts and move the shelf where you need it. Shelves can be adjusted in one inch increments and provide the most flexible shelving solution available.



Truly Adjustable Shelves All you need is a phillips screwdriver! Simply remove two bolts from the speed nut clips that come with the shelf, tilt the shelf upwards, move the shelf to your desired location, insert the rear shelf studs, reattach the bolts and you're done!

Rear Shelf Studs unique design lock shelves in place!

ADAPTABLE INTERIOR

Everyone likes to set their work van up their own way. The new ADseries shelving lets you position the shelving where you need it. Exclusive to the ADseries, the unique rail system enables you to reposition the shelving in the van, increasing the available space for trade specific equipment. All of this is done without removing bolts, plugging holes and redrilling the van!



ADD ACCESSORIES

Businesses change over time and your van interior should be able to change with your needs. Plug and Play shelves have prepunched holes that allow adding storage solutions easily! ADseries dividers simply snap in place, drawer units simply bolt in and door kits can be added to lock your more valuable parts and equipment. Many Adrian Steel accessories can be added to the ADseries shelving with the rail adapter kits and end panel brackets.



ADSERIES SHELF UNITS AND RAIL KITS

MODEL	SIZE	DESCRIPTION
AD26LCV	26"W x 50"H x 14"D	fits Nissan NV Cargo
AD28NV2	28"W x 46"H x 14"D	fits NV200 Compact Cargo
AD32FP	32"W x 46"H x 14"D	fits NV200 Compact Cargo
AD32LCV	32"W x 50"H x 14"D	fits Nissan NV Cargo
AD44LCV	44"W x 50"H x 14"D	fits Nissan NV Cargo
AD50LCV	50"W x 50"H x 14"D	fits Nissan NV Cargo
RKLCV	Mounting Rail Kit	fits Nissan NV Cargo
RK67NV2-CS	Passenger Side Mounting Rail Kit	fits NV200 Compact Cargo
RK67NV2-SS	Driver Side Mounting Rail Kit	fits NV200 Compact Cargo
RKNV2-CS	Passenger Side Mounting Plate Kit	fits NV200 Compact Cargo
RKNV2-SS	Rail Kit-streetside	fits NV200 Compact Cargo

ADSERIES ACCESSORIES

MODEL	SIZE/DESCRIPTION
DV14C1	Shelf Divider
DV14C8	14" Shelf Dividers
DK3008	Door Kit
DK3010	Door Kit
DK4208	Door Kit w/ Open Back
DK4210	Door Kit w/ Open Back
DK4808	Door Kit
DK4810	Door Kit
BRK14EPS	End Panel Mounting Bracket
RKA1	Rail Kit Adapter/See list at right
RKA3	Rail Kit Adapter3/See list at right
RKA4	Rail Kit Adapter4/See list at right
RKABRK1	Single Adapter Bracket for Rail Kit
RKABRK2	Double Adapter Brackets for End Panel
RKANV	Rail Kit Adapter for NV
RKAWTR	Welded Tank Rack Rail Adapter
RKA919	Drawer Riser Kit
35325-G	32" Long Shelf
35327-G	44" Long Shelf
35328-G	50" Long Shelf

RKA1 – Rail Adapter Kit 1
Use with: CB2, CB3, CB4 (uses 2)

RKA3 – Rail Adapter Kit 3
Use with: #1, #12, #2, #8, DC Units, 17A, CRH2, TA19, TA5

RKA4 – Rail Adapter Kit 4
Use with: CL1446D/R, #40, KDRH2, KD Shelving Units, #33, #3, #33W, JD Shelving

BRK14EPS – End Panel Mounting Bracket.
Use with: 17A, CB5, 43, TA19, TA20, WRH5, UH10/25/50, PA9, PA8, ACT3/4, PA11, AGSCH2, PA7, TH30, TH50, TA5

RKABRK1 – Used with TA19, TA20, TA5

Note: Rails are not included with the shelf units. Rail kits must be ordered separately

Note: Shelves have the following weight rating:

Shelves positioned with the shelf lips facing up have a rating of 100lbs per shelf evenly distributed.

Shelves positioned with the shelf lips facing down have a rating of 200lbs per shelf evenly distributed.

SPECIFIC JOBS DEMAND SPECIFIC STORAGE SOLUTIONS.

Cabinet and Drawer Modules provide secure storage for large and small tools and parts. The modular design allows you to get what you need now and the ability to add more when you need it. Whatever the job demands, Adrian has the storage solutions to transport your gear safely and securely.



TANK CABINETS

- Provide vented storage for Propane, Mapp gas or CO2 tanks.
- Cabinets feature a full door gasket with two snap latches for positive door closure.
- Interior cabinet cradle and retaining straps (foam yokes for TA19) secure tanks and prevent movement.
- Floor vent and tubing are included for exhausting fumes.
- Propane cabinets store 20, 30 or 40 lb. tanks.
- Mapp Gas Cabinets store 6 1/2" diameter tanks.
- CO2 Tank Cabinets store 20 lb. cylinders.

MODEL	DESCRIPTION	CABINET SIZE
TA18	Compressed Gas Tank Cabinet	14-3/4"W x 36"H x 13"D
TA19	Compressed Gas Tank Cabinet	13"W x 32"H x 12-1/2"D
TA20	Mapp Gas Cabinet	14"W x 26"H x 8"D



Folding T handles don't stick out into aisles.

SHELF CABINETS

- Available in 12" and 18" front to rear lengths
- Can be used free standing or stacked with our lockable drawer units.
- Feature locking recessed tee-handles for secure storage and receive a durable gray powder coat finish.
- Cabinets feature an open side and can be combined for side-by-side use holding items up to 35" long.
- Optional end panel can be added to close off side when required.
- Include an adjustable shelf that can be removed
- Cabinets provide a solid surface to stack modular drawers, cabinets and bins.

MODEL	DESCRIPTION	CABINET SIZE
1	Adjustable Single Shelf Cabinet w/Lock	18"W x 22"H x 18"L
12	Adjustable Single Shelf Cabinet w/Lock	18"W x 22"H x 12"L
1A	Cabinet Shelf	No. 1
12A	Cabinet End Panel	No.12



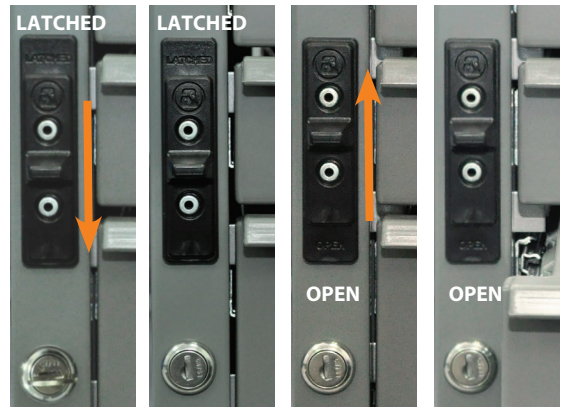
CABINET LOCKERS

- Full-door Lockers feature a 46" high storage space with 3 removable shelves.
- Short-door Lockers feature a 33" high storage area and with 2 removable shelves.
- Locker doors are reversible for flexibility and feature locked recessed T-handles for security.
- Cabinet Lockers taper from 14" to 12" from front to back in depth at top and bottom to maximize aisle space.

MODEL	DESCRIPTION	CABINET SIZE
CL1446R	Adjustable 3-Shelf Cabinet w/ Lock	18"W x 46"H x 14"D
CL1446D	Adjustable 3-Shelf Cabinet w/ Lock	18"W x 46"H x 14"D



2.5" deep drawers come with ABS divided and removable trays perfect for small parts.



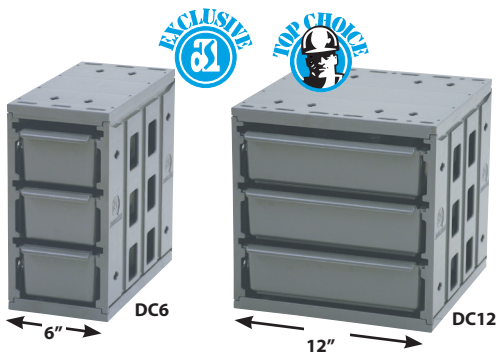
Latched & Locked Latched & Unlocked Drawers Unlatched Drawers Open

DRAWER UNITS – LOCK 'N LATCH SYSTEM

- Our exclusive Lock 'n Latch system provides a choice of drawers open, drawers retained or drawers locked position.
- Drawers are made of an engineered composite material for durability with heavy-duty drawer glides for support and smoother drawer operation.
- The new drawer glides significantly increase the ease of use when opening and closing the drawer units. They all but eliminate the rattle noise of the drawers when the driving the vehicle.
- Drawers and glides can be repositioned within cabinet for increased flexibility.
- Divide 5" deep drawers into compartments using optional metal "egg crate" dividers.

MODEL	DESCRIPTION	DRAWER SIZE (QTY.)
19	2-Drawer Unit w/ Lock	16"W x 5"D x 11-1/2"L (2)
919	3-Drawer Unit w/ Lock	16"W x 2-1/2"D x 11-1/2"L (2) 16"W x 5"D x 11-1/2"L (1)
9	4-Drawer Unit w/ Lock	16"W x 2-1/2"D x 11-1/2"L (4)
27	Drawer Divider Assembly	19 or 919 Drawer (1)

Steel outer cabinet measures 18"W x 12"H x 12"L.



DRAWER COMPONENTS

- Organize small parts with our flexible and rugged composite Drawer Components.
- Drawer retention stops prevent drawers from opening while the vehicle is in transit.
- Made of a hi-impact polymer for a quiet operation.
- Each drawer comes with 2 dividers and 7 divider slots.
- Interlocking feature allows up to 2 units stacked vertically or multiple units horizontally.
- Choose from Adrian Steel's pre-configured drawer systems or create your own drawer system from the base models.

MODEL	DESCRIPTION	OVERALL SIZE
DC6	3-Drawer Unit	6"W x 12"H x 12"D
DC12	3-Drawer Unit	12"W x 12"H x 12"D
DS06212V	6-Drawer Unit	12"W x 24"H x 12"D
DS36012H	9-Drawer Unit	18"W x 12"H x 12"D
DS46012	12-Drawer Unit	12"W x 24"H x 12"D

5lb. weight capacity per drawer.



#2 Cabinet Size
18"W x 24"H x 18"L

#8 Cabinet Size
18"W x 18"H x 12"L

DRAWER UNITS – LOCKING HINGE AND HASP

- Drawers are welded and have reinforced drawer slides for strength.
- Can be locked with a padlock (not included) for security.
- Divide drawers with optional metal "egg crate" dividers.

MODEL	DESCRIPTION	DRAWER SIZE (QTY.)
8	3-Drawer Unit	16"W x 5"D x 11-1/2"L (3)
2	4-Drawer Unit	16"W x 5"D x 17-1/2"L (4)
25	Drawer Divider Assembly	No. 2 Drawer (1)
26	Drawer Divider Assembly	No. 8 Drawer (1)

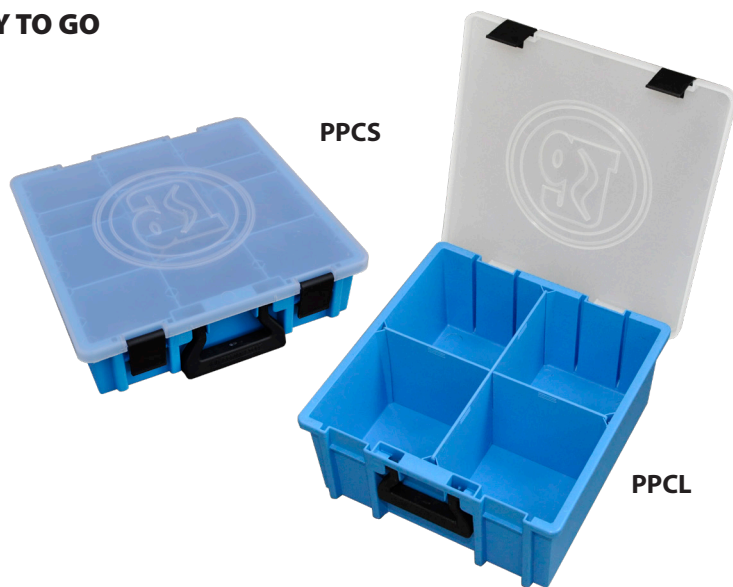
BE MORE EFFICIENT WITH INVENTORY THAT IS READY TO GO WHEN AND WHERE YOU ARE.

Versatile, lightweight, durable, convenient and mobile - these **Portable Parts Cases** are perfect for the tech who needs to carry small parts and inventory to the jobsite.

The impact resistant body can be organized with the included adjustable dividers. The see-through lids with snap latches make identifying contents easy.

PPCS 14" x 14" x 3.75"

PPCL 14" x 14" x 6.25"



CH-EP
15.5" x 11.25" x 37.5"
* FIRST AID KIT NOT INCLUDED



CHPPC5SM
16.5" x 14" x 35"



Add a single **CH1514SGL 15" x 14" x 12"** or double **CH-1514DBL 15" x 14" x 12"** **Case Holder** to an existing shelf to house included cases that stay put while in transport.

INCORPORATE THE PORTABLE PARTS CASES INTO YOUR VAN WITH THE STORAGE OPTION THAT FITS YOUR NEED.

Three different **Case Holder** options give you the ability to house multiple Portable Parts Cases near the vehicle door for easy access to grab-and-go. The **CH-EP** and **CHPPC5SM** include a tray that holds an optional first aid kit and feature slanted shelves.

The **CHPPC4S** includes four PPCS cases and each shelf has a retaining lip to keep cases in place.

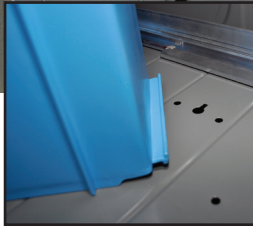


CHPPC4S
14.5" x 11.5" x 18"

ADRIAN'S BLUE BIN SYSTEM IS PERFECT FOR VISUAL INVENTORY MANAGEMENT.



BR36212 Bin Set for Adjustable Shelving



The innovative rail system locks the bins in place on the shelf.

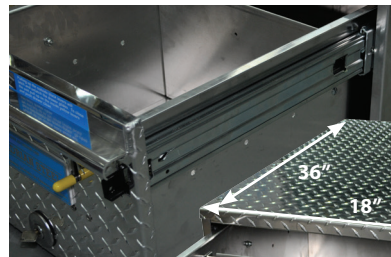
- 6" and 12" bins maximize the ADseries shelf space.
- The innovative rail system locks the bins in place on the shelf.
- The bins can nest on top of each other when at the job site or in the warehouse getting filled to go.
- Add a label to the front so you can find parts quickly
- Each bin can accommodate one optional divider.

Order our predefined bin systems or create your own configuration of bins. Please note that the bins and the rail are a system. To obtain all the features listed above, both must be ordered.

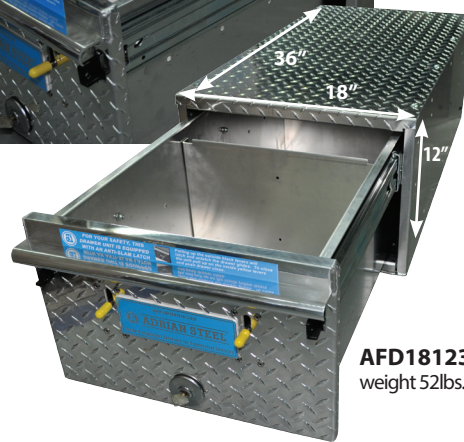
MODEL	DESCRIPTION
SBIN060614	Snap In Bin
SBIN120614	Snap In Bin
SBINDIV	Snap In Bin Divider
BR36212	Bin Set for Adjustable Shelving
BR76012	Bin Set for Adjustable Shelving
SRAILAD26	26" Bin Rail
SRAILAD32	32" Bin Rail
SRAILAD44	44" Bin Rail
SRAILAD50	50" Bin Rail

FLOOR DRAWERS

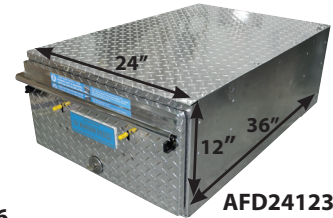
- Adrian Steel exclusive Anti-Slam latch keeps drawer from closing without positive latch activation. The only aluminum drawer in the industry with this feature!
- An automotive grade lock keeps expensive cargo secure and the adjustable divider helps keep contents segmented.
- The integral latch keeps the drawer open when you are on an incline and closed when you're done!
- Heavy duty grab handles and ball bearing slides allow the drawer to open and close with ease.
- Can be stacked to utilize large cubic storage areas.
- 24" deep units have a weight capacity of 350 lbs. and the 36" deep have a 325 lb. weight capacity.



AFD241224
weight 46lbs.



AFD181236
weight 52lbs.



AFD241236
weight 60lbs.

REFRIGERANT TANK HOLDER

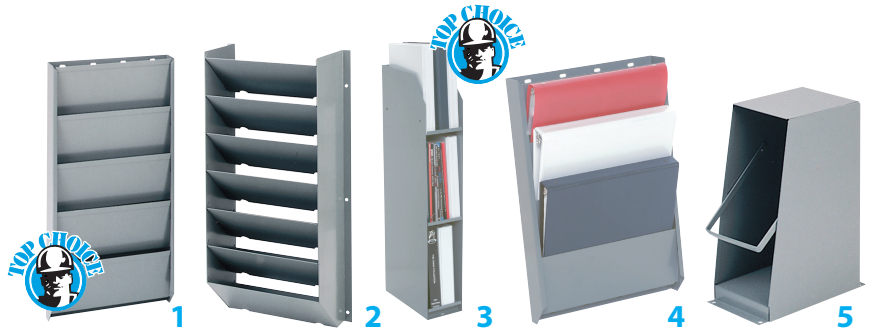


3-Shelf Tank Rack TH51FP

Accommodates a combination of any three 30 or 50 lb tanks.

Straps secure tanks for safe transportation.

Fits NV Cargo



1: CB5 5-Slot Literature Rack Mount on partition or other vertical surface. 2-1/2" deep pockets. Overall size: 12"W, 24"H, 2-1/2"D.

2: CB7 7-Slot Literature Rack Mount on partition or other vertical surface. 6-3/4" deep pockets. Overall size: 14-3/4"W, 28-7/8"H, 7"D.

3: 43 3-Shelf Literature Rack Fits in narrow spaces. It has three tilted shelves. Perfect for binders and catalogs. Overall size: 6" W, 34" H, 12" D.

4: BH4 4-Slot Literature Rack Designed to mount on partition or almost any vertical surface. Excellent for binders. Each pocket is 2 1/2" deep. Overall size: 12-3/4" W, 19-1/2" H, 2-1/2" D.

5: CB2 2-Book File Mounts on the floor between front seats and partition. Holds folders 12"H x 10-1/2"D. Overall size: 6"W, 14"H, 12"D.



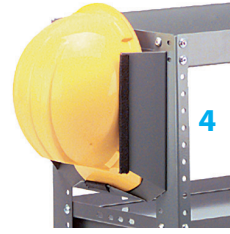
1



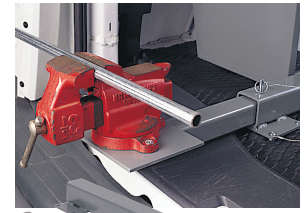
2



3



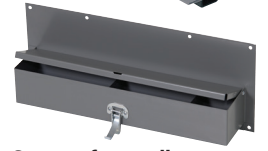
4



5



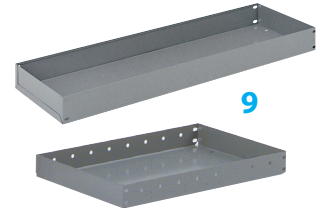
6



Storage for small parts 7



8



9

1: DST21 Door Storage Tray offers convenient access to parts and tools. Overall size: 20" W, 4" D, 8" H

2: Aerosol Can Tray secure cans for easy access.

ACT3 - 3-Place Aerosol Can Holder

ACT4 - 4-Place Aerosol Can Holder

3: 14 Step Stool has a wide base and is 12" high. Stool can be used with a workbench or as an auxiliary step. Top measures 10" x 20" One size.

4: TA2 Hard Hat Holder secures hat to partition or shelving.

5: VMA36 Vise Mount Assembly is floor mounted and telescopes out beyond side or rear cargo doors when fully opened. Measures 36" closed and 60" open.

6: Touch-Up Paint in spray cans match Steel-Cote™ finish. Three colors:

STP12G - Gray **STP12W** - White **STP12B** - Black

7: Door Tray comes with two dividers and has optional lid for containment.

DT21 - Door Tray Overall size: 18" W, 4" D, 4" H

DTL21 - Door Tray Lid for DT21 only

DTWL21 - Door Tray w/ Latching Lid

8: Hooks organize a variety of cargo in easy-to-access locations.

UH10 - Utility Hook

UH25 - Utility Hook

UH50 - Utility Hook

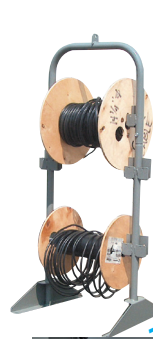
TA1 - 4-hook bar

9: Parts Tray features a 2" deep shelf lip. Can be mounted to cabinet and drawer modules for added top storage.

4A - Parts Tray Overall size: 36" W, 12" D, 2" H

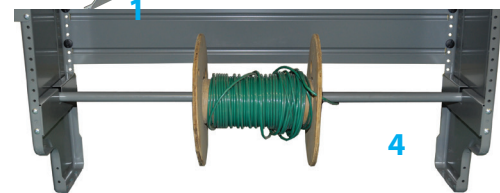
4B - Parts Tray Overall size: 18" W, 12" D, 2" H

REEL HOLDERS



2

3



4

1: CRH2 Cable Reel Holder features a durable frame, two steel shafts that holds up to a 15-1/2" diameter reel by 14" wide. Overall size: 19-1/8" W, 16" D, 44-7/8" H

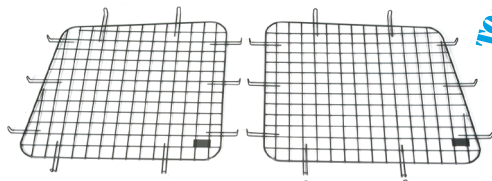
2: KDRH2 2-Bar Wire Reel Holder holds large spools up to 16" wide and 18" in diameter. Spools nest on conveyor rollers. Includes tie-down chains with neoprene covers. Overall size: 18" W, 46" H, 18" D

3: WRH5 5-Bar Spool Holder Five removable bars hold wire spools up to 6" in diameter. Reel Holder mounts to shelf ends or any vertical surface. Overall size: 12" W, 25" H, 4" D

4: End Panel Reel Holder Bar mounts between ADseries shelf end panels for easy access to spools of cable and wire.

KDRH1426 - Wire Reel Holder **KDRH1432** - Wire Reel Holder

KDRH1444 - Wire Reel Holder **KDRH1450** - Wire Reel Holder



Wire Window Screens add security to cargo area windows.

60-NRD Rear Doors Security Screen Kit

60-NSDRD Side & Rear Doors Security Screen Kit

60-NV2 Rear Doors Security Screen Kit

60-120 Driver Side Rear Door Security Screen

60-121 Passenger Side Rear Door Security Screen

60-150 Driver Side Sliding Door Security Screen

60-151 Passenger Side Sliding Door Security Screen

FINALLY!

A LADDER RACK DESIGNED AROUND YOU... NOT YOUR VEHICLE.

Introducing the All-New Drop-Down Ladder Rack from Adrian Steel!

Nissan Cargo Low Roof

Nissan Cargo High Roof

NEW

Technicians that are 5'-4" or taller can easily load and unload the rack without climbing up on anything.

Nissan Cargo Low Roof

- DDL61NVL** - Single, Nissan Cargo Low Roof
- DDL63NVL** - Double, Nissan Cargo Low Roof
- DDL64NVL** - Combo, Nissan Cargo Low Roof

Accessories

- DDL61SLK2** - Step Ladder Kit
- 69-DDCS** - Passenger Side Ladder Extension Kit, 32ft Ladder
- 69-DDSS** - Driver Side Ladder Extension Kit, 32ft Ladder
- 70-1LR** - PVC Conduit Kit w/ Round End Caps, 4"
- 70-2LR** - PVC Conduit Kit w/ Round End Caps, 6"
- 80-1LR** - Aluminum Conduit Kit, 10'6"
- 80-2LR** - Aluminum Conduit Kit, 12'6"
- 57107** - Wide Step Ladder Kit Add-On

Nissan Cargo High Roof

- DDL61NVH** - Single, Nissan Cargo High Roof
- DDL63NVH** - Double, Nissan Cargo High Roof

Accessories

- DDL61SLKHR** - Step Ladder Kit
- 57107** - Wide Step Ladder Kit Add-On



EXCLUSIVE!

With the turn of a knob, you can quickly adjust the rack to fit a wide variety of ladders.

Our most user friendly ladder rack ever! Featuring the patent pending twist to adjust! The fastest way to adjust your rack to your ladder! The outboard design and two stage drop brings ladder down to an ergonomic load position where operators 5' 4" or taller can safely load and unload the ladder. The aluminum build of the rack reduces corrosion and keeps your ladder rack looking like new. Adrian Steel's Drop-Down Ladder Rack will accommodate a variety of ladders and safely secure them for transport.

We know different jobs require different ladders. The new Drop-Down ladder rack safely transports all different types of ladders. Extension ladders, step ladders and specialty ladders. Standard rack accommodates 28' extension ladder and 10' step ladder – short step ladders will need optional step ladder kit and up to 32' extension ladder with extension ladder kit.

ALL-NEW & COMPLETELY REDESIGNED ALUMINUM GRIP-LOCK RACK

Off-the-Roof, Angled Design Offers a Lower Reach Height than Traditional Grip-Lock Racks.

The innovative "tilt angle" design offers a lower reach height than traditional grip lock racks.



NEW

- 61-GLNVL2** - Single Grip Lock Ladder Rack
- 63-GLNVL2** - Double Grip Lock Ladder Rack
- 69-GL** - Grip Lock Extension Kit
- 61-GLNVL2** - Single Grip Lock Ladder Rack
- 63-GLNVL2** - Double Grip Lock Ladder Rack
- 69-GL** - Grip Lock Extension Kit
- GLSLKFSV** - Step Ladder Kit
- 70-1LR** - Conduit Kit w/ Round End Caps, 4"
- 70-2LR** - Conduit Kit w/ Round End Caps, 6"
- 80-1LR** - Conduit Kit w/ Round End Caps, 10'6"
- 80-2LR** - Conduit Kit w/ Round End Caps, 12'6"

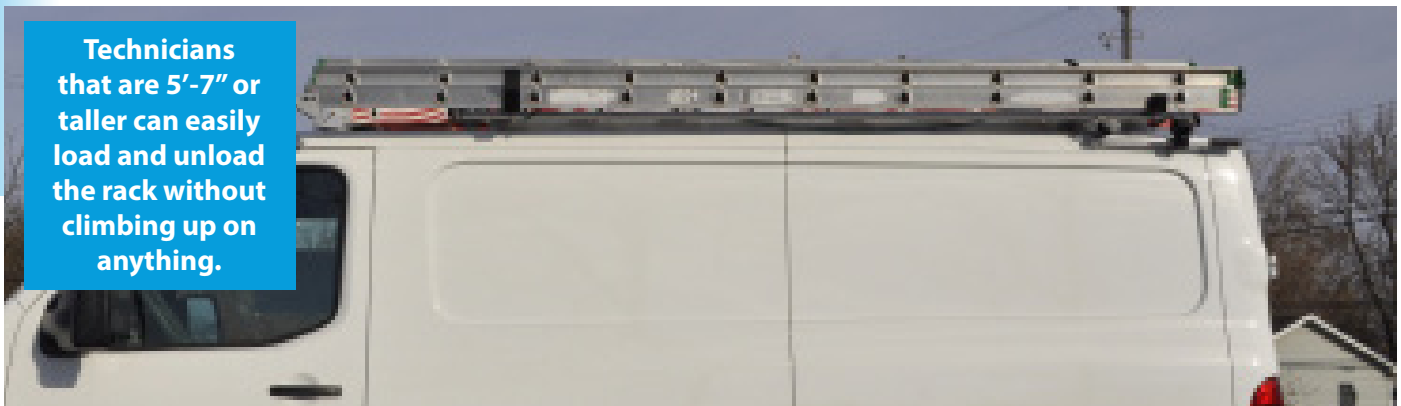
Adrian Steel's completely redesigned grip-lock style ladder rack is designed to make your job easier when loading and unloading your ladders. The innovative "tilt angle" design offers a lower reach height than traditional grip lock style racks. Technicians that are 5'7" or taller can safely load and unload ladders with out having to climb up on something.

The clamping mechanism secures and protects ladders when they are stowed or in transit. A padlock can be added for extra security. The natural aluminum finish reduces corrosion and helps preserve the integrity of the rack.

The all-new Grip-Lock Ladder Rack is an economical option that will look great and perform effortlessly for many years on your van!

NV CARGO

Technicians that are 5'-7" or taller can easily load and unload the rack without climbing up on anything.





INTERIOR LADDER RACKS

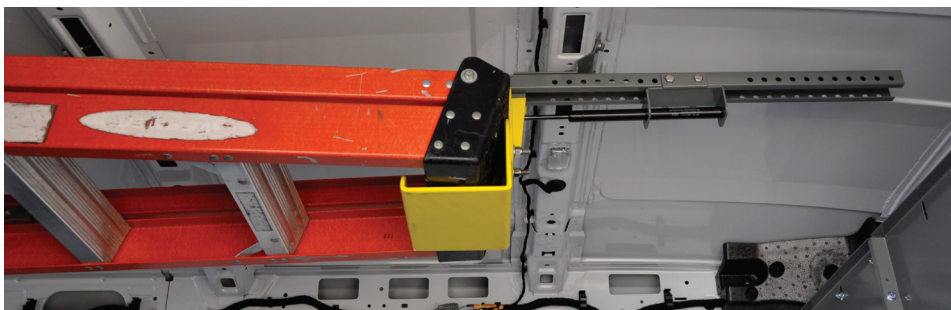
OUT OF THE WAY, BUT NEVER OUT OF REACH.

When you transport your ladders within the cargo area of your van, you reduce the wear and tear on the ladder, and on yourself with easy to access and operate ladder storage solutions.



ILR LADDER HOLDER

- The Interior Ladder Rack does not take up, limit, or reduce vertical standing room in your van and it allows quick and easy access to your ladder from outside of your vehicle.
- Eliminate the outside wear and tear on your ladder; protect your ladder from the elements, theft, and road grime.
- Customers will appreciate your use of clean, well taken care of equipment rather than bringing the outside mess into their home.
- Perfect for carrying 4ft and 6ft step ladders. **Works best in medium and high roof vans** and features plastic coated clamps to protect the ladder rungs during transit.



LADDER KEEPER

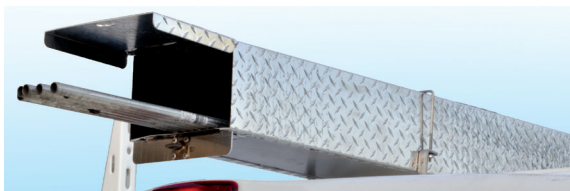
- Designed to be loaded from outside the vehicle, the Ladder Keeper features a spring-loaded clamp that holds the ladder securely in place.
- Just set the top of the ladder in the front clamp bracket and push it forward until the bottom of the ladder sits in the rear clamp bracket. it allows quick and easy access to your ladder from outside of your vehicle.
- **LKLCV** fits Nissan NV Cargo and can carry up to a 6 ft. ladder.

MAXIMIZE YOUR CARGO CAPACITY WITH AN ALUMINUM UTILITY RACK.



UTILITY RACK FEATURES & BENEFITS

- This all aluminum rack is designed to reduce corrosion by eliminating much of the welding.
- The uprights are fully plastisoled to protect against wear and reduce ladder fatigue.
- Uprights feature many attachment points for securing cargo straps.
- Weather resistant cross bar is not cut to fit or perforated in any way improving longevity of the rack.
- The Rear Roller Bar eases the loading and unloading of the rack.
- The Rear Roller Bar is not compatible with the high roof NV Cargo.
- Available in our durable black or white powder coat paint.
- Optional center bars support shorter lengths and provide additional support.
- The Nissan NV Cargo can accommodate 2-5 cross bars.



ALUMINUM CONDUIT CARRIER

The two piece design features a lift-up door with a spring assist for easy access and lockable swivel closure. Constructed with .063" diamond tread aluminum with a bolt-on plate at the front to allow access to the front end of the carrier.

MODEL	DESCRIPTION	COLOR
3BARRNV-B	3-Bar Utility Rack w/ Rear Roller	Black
3BARRNV-W	3-Bar Utility Rack w/ Rear Roller	White
2BARRNV-B	2-Bar Utility Rack w/ rear Roller	Black
2BARRNV-W	2-Bar Utility Rack w/ rear Roller	White
<hr/>		
3BNLCV-B	3-Bar Utility Rack	Black
3BNLCV-W	3-Bar Utility Rack	White
2BNLCV-B	2-Bar Utility Rack	Black
2BNLCV-W	2-Bar Utility Rack	White
<hr/>		
1BNLCV-B	Center Cross Bow Kit	Black
1BNLCV-W	Center Cross Bow Kit	White
RRBLCV-B	Rear Roller Assist	Black
RRBLCV-W	Rear Roller Kit*	White
*Fits standard roof NV Cargo only.		
<hr/>		
80-1	Conduit Kit	
80-2	Conduit Kit	

GRIP YOUR LADDERS SECURELY A GRIP-LOCK LADDER RACK.

Adrian's Grip-Lock racks feature a lockable, gripping mechanism that firmly secures one or two ladders to the top of the van. Racks easily adjust for ladders of different sizes. The all aluminum design provides years of service.



GRIP-LOCK FEATURES AND BENEFITS

- Heavy-Duty actuating arm firmly grips ladder rungs to prevent shifting of ladder on rack.
- Gripping mechanism is lockable.
- Composite extrusions on front and rear crossbows and uprights protect ladders.
- Rung grips easily adjust to accommodate different types of ladders.
- All aluminum design with neutral finish—for quality and longevity.
- There are no straps to deal with, clamping of ladder is automatic.
- Mounts to pre-existing mounting points in roof. No drilling required.

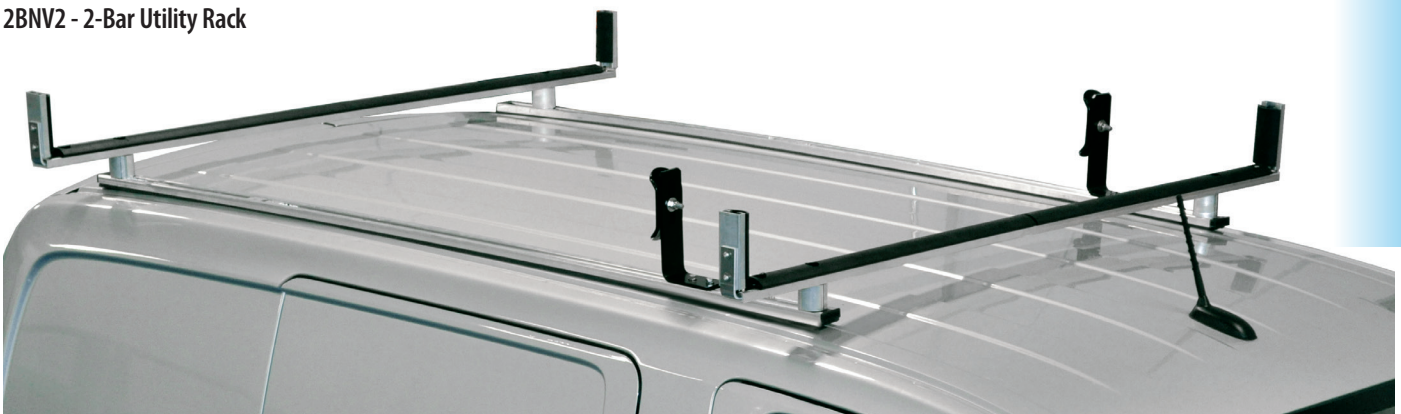
61-NV2 - Single Grip Lock Ladder Rack

63-NV2 - Double Grip-Lock rack

ALUMINUM UTILITY RACK FOR NV200 COMPACT CARGO

The most flexible rack in the market, the 2BNV2 features an all aluminum design that allows you to maximize the roof of the NV200 Compact Cargo. No drill installation and an innovative rail system allows the user to easily reposition the crossbows where they are needed.

2BNV2 - 2-Bar Utility Rack



MODEL	PAGE	DESCRIPTION	MODEL	PAGE	DESCRIPTION	MODEL	PAGE	DESCRIPTION
ACT3	28	3-Place Aerosol Can Holder	JD52FP	22	3-Shelf Unit	S2M2C2FSV	20	Steel Partition Panel Kit w/ Visibility
ACT4	28	4-Place Aerosol Can Holder	JD48FP	22	2-Shelf Unit	S2M2HC2FSV	20	Steel Partition Panel Kit w/ Visibility & Door Kit
AD26LCV	23	Adjustable 3-Shelf Unit	JD60FP	22	3-Shelf Unit	SBIN060614	27	Snap In Bin
AD28NV2	13,23	Adjustable 3-Shelf Unit	LR	31	Interior Ladder Rack	SBIN120614	27	Snap In Bin
AD32FP	10,23	Adjustable 3-Shelf Unit	KDRH1426	28	Wire Reel Holder	SBINDIV	27	Snap In Bin Divider
AD32LCV	23	Adjustable 3-Shelf Unit	KDRH1432	28	Wire Reel Holder	SRAILAD26	27	26" Bin Rail
AD44LCV	23	Adjustable 3-Shelf Unit	KDRH1444	28	Wire Reel Holder	SRAILAD32	27	32" Bin Rail
AD50LCV	23	Adjustable 3-Shelf Unit	KDRH1450	28	Wire Reel Holder	SRAILAD44	27	44" Bin Rail
AFD181236	27	Floor Drawer	KDRH2	28	2-Bar Wire Reel Holder	SRAILAD50	27	50" Bin Rail
AFD241224	27	Floor Drawer	LCVLR-H63	29	Dual-Sided Loadsite Ladder Rack	STP12G	28	Touch-Up Paint
AFD241236	27	Floor Drawer	LCVLR-S61	29	Passenger Side Loadsite Ladder Rack	STP12W	28	Touch-Up Paint
BH4	27	4-Slot Literature Rack	LCVLR-S63	29	Dual-Sided Loadsite Ladder Rack	STP12B	28	Touch-Up Paint
BR36212	27	Bin Set for Adjustable Shelving	LCVLRH61CS	29	Passenger Side Loadsite Ladder Rack	TA1	28	4-Hook Bar
BR76012	27	Bin Set for Adjustable Shelving	LCVLRH61SS	29	Driver Side Loadsite Ladder Rack	TA2	28	Hard Hat Holder
BRK14EPS	23	End Panel Mounting Bracket	LKLCV	31	Ceiling Ladder Holder	TA18	24	Compressed Gas Tank Cabinet
CB2	27	2-Book File	M1FLP	20	Middle Partition Panel w/ Long Parts Storage	TA19	24	Compressed Gas Tank Cabinet
CB5	27	5-Slot Literature Rack	M2FLP	20	Middle Partition Panel w/ Visibility & Long Parts Storage	TA20	24	Compressed Gas Tank Cabinet
CB7	27	7-Slot Literature Rack	P2NV2FW	10,21	Wire Partition	TH51FP	27	3-Shelf Tank Rack
CH-1514DBL	26	2-Case Holder w/ Cases	P2NV2S	10,21	Steel Partition w/ Visibility	UH10	28	Utility Hook
CH-1514SGL	26	Case Holder, Single	PDK1	9	Steel Partition Door Kit	UH25	28	Utility Hook
CH-EP	26	3-Case Holder w/ Cases	PPCS	26	Small Portable Parts Case	UH50	28	Utility Hook
CHPPC4S	26	4-Case Holder w/ Cases	PPCL	26	Large Portable Parts Case	VMA36	28	Vice Mount Assembly
CHPPC5SM	26	5-Case Holder w/ Cases	RK67NV2-CS	16,18,23	Passenger Side Mounting Rail Kit	WKC1LCVH	20	Steel Partition Mounting Kit
CL1446D	24	Adjustable 3-Shelf Cabinet w/ Lock	RK67NV2-SS	13,16,18,23	Driver Side Mounting Rail Kit	WKC1LCVH3	9,20	Steel Partition Mounting Kit
CL1446R	24	Adjustable 3-Shelf Cabinet w/ Lock	RKA1	23	Rail Kit Adapter	WKC1LCVS	20	Steel Partition Mounting Kit
CRH2	28	Cable Reel Holder	RKA3	23	Rail Kit Adapter	WKC1LCVS3	9,20	Steel Partition Mounting Kit
DC6	25	3-Drawer Unit	RKA4	23	Rail Kit Adapter	WRH5	28	5-Bar Spool Holder
DC12	25	3-Drawer Unit	RKA919	23	Drawer Riser Kit	1	24	Adjustable Single Shelf Cabinet w/Lock
DDL61NVL	29	Passenger Side Drop Down Ladder Rack	RKABRK1	23	Single Adapter Bracket for Rail Kit	1A	24	Cabinet Shelf
DDL63NVL	29	Dual Sided Side Drop Down Ladder Rack	RKABRK2	23	Double Adapter Brackets for End Panel	1BNLCV-B	32	Center Cross Bow Kit
DDL64NVL	29	Drop Down Combo Ladder Rack	RKANV	23	Rail Kit Adapter	1BNLCV-W	32	Center Cross Bow Kit
DDL61NVH	29	Passenger Side Drop Down Ladder Rack	RKLCV	23	Mounting Rail Kit	2	25	4-Drawer Unit
DDL63NVH	29	Dual Sided Drop Down Ladder Rack	RKNV2-CS	12,23	Passenger Side Mounting Plate Kit	2BARRNV-B	32	2-Bar Utility Rack w/ rear Rollerr
DDL64NVH	29	Dual Sided Drop Down Ladder Rack	RKNV2-SS	10,23	Driver Side Mounting Plate Kit	2BARRNV-W	32	2-Bar Utility Rack w/ rear Roller
DDLRSLK2	29	Step Ladder Kit	RRBLCV-B	32	Rear Roller Assist	2BNLCV-B	32	2-Bar Utility Rack
DDLRSLKHR	29	Step Ladder Kit	RRBLCV-W	32	Rear Roller Bar Kit-White	2BNLCV-W	32	2-Bar Utility Rack
DK3008	23	Door Kit	S1M1C1FLP	20	Steel Partition Panel Kit w/ Long Parts Storage	2BNV2	11,33	2-Bar Utility Rack
DK3010	23	Door Kit	S1M1C1FSV	20	Steel Partition Panel Kit	3BARRNV-B	32	3-Bar Utility Rack w/ Rear Roller
DK4208	9,23	Door Kit w/ Open Back	S1M1HC1FSV	20	Steel Partition Panel Kit w/ Door Kit	3BARRNV-W	32	3-Bar Utility Rack w/ Rear Roller
DK4210	23	Door Kit w/ Open Back	S1M2C1FLP	20	Steel Partition Panel Kit w/ Long Parts Storage & Visibility	3BNLCV-B	32	3-Bar Utility Rack
DK4808	23	Door Kit	S1M2C1FSV	20	Steel Partition Panel Kit w/ Visibility	3BNLCV-W	32	3-Bar Utility Rack
DK4810	23	Door Kit	S1M2HC1FSV	20	Steel Partition Panel Kit w/ Visibility & Door Kit	4A	28	Parts Tray
DS06212V	25	6-Drawer Unit	S1M2C2FLP	20	Steel Partition Panel Kit w/ Long Parts Storage & Visibility	4B	28	Parts Tray
DS36012H	25	9-Drawer Unit	S1M2C2FSV	20	Steel Partition Panel Kit w/ Visibility	8	25	3-Drawer Unit
DS46012	25	12-Drawer Unit	S1M2C2FSV	20	Steel Partition Panel Kit w/ Visibility	9	25	4-Drawer Unit w/ Lock
DST21	28	Door Storage Tray	S1M2HC2FSV	20	Partition FSV	12	24	Adjustable Single Shelf Cabinet w/Lock
DT21	28	Door Tray				12A	24	Cabinet End Panel
DTL21	28	Door Tray Lid				14	28	Step Stool
DTWL21	28	Door Tray w/ Latching Lid				19	25	2-Drawer Unit w/ Lock
DV14C1	23	Shelf Divider				25	25	Drawer Divider Assembly
DV14C8	23	14" Shelf Dividers				26	25	Drawer Divider Assembly
HD-28NV2	13	3-Shelf Unit				27	25	Drawer Divider Assembly
HD-32NV2	11	4-Shelf Unit				43	27	3-Shelf Literature Rack
HD32NVH	22	5-Shelf Unit				60-120	28	Driver Side Rear Door
HD42NVH	22	5-Shelf Unit						
HD52NVH	22	5-Shelf Unit						
IJD42FP	22	3-Shelf Unit						

MODEL	PAGE	DESCRIPTION			
		Security Screen	4968	13	Ladder Rack & Partition Starter Package
60-121	28	Passenger Side Rear Door Security Screen	5074NH	14	Cargo Management Starter Package
60-150	28	Driver Side Sliding Door Security Screen	5075NH	14	General Service Package
60-151	28	Passenger Side Sliding Door Security Screen	5076NH	14	Electrical Starter Package
60-NRD	9,28	Rear Doors Security Screen Kit	5077NH	15	Security Pkg. 60" NV
60-NSDRD	28	Side & Rear Doors Security Screen Kit	5079NH	15	HVAC Starter Package
60-NV2	28	Rear Doors Security Screen Kit	5080	19	Plumbing Starter Package
61-GLNVL2	30	Passenger Side Grip Lock Ladder Rack	5081	18	Satellite Installation Starter Package
61-NV2	33	Single Grip Lock Ladder Rack	5082	18	Commercial Starter Package
63-GLNVL2	30	Dual-Sided Grip Lock Ladder Rack	5083	19	Electrical Starter Package
63-NV2	13,33	Double Grip Lock Ladder Rack	5084	18	General Service Starter Package
69-DDCS	29	Passenger Side Ladder Extension Kit, 32ft.	5096	17	Plumbing Starter Package
69-DDSS	29	Driver Side Ladder Extension Kit, 32ft.	5097	16	Satellite Installation Starter Package
69-GL	30	Grip Lock Extension Kit	5098	16	Satellite Installation Starter Package
70-1LR	30	Conduit Kit w/ Round End Caps, 4"	5099	17	Electrical Starter Package
70-2LR	30	Conduit Kit w/ Round End Caps, 6"	5100	16	General Service Starter Package
80-1LR	9,32	Conduit Kit, 10'6"	35325-G	23	32" ADseries Add-on Shelf
80-2LR	32	Conduit Kit, 12'6"	35327-G	23	44" ADseries Add-on Shelf
919	25	3-Drawer Unit w/ Lock	35328-G	23	50" ADseries Add-on Shelf
2255NH	8	Locksmith Starter Package	57107	29	Wide Step Ladder Add-on
2255NS	8	Locksmith Starter Package			
4484	4	Commercial Starter Package			
4519	5	Base Starter Package			
4520	5	Utility Starter Package			
4686NH	6	General Service Starter Package			
4686NS	6	General Service Starter Package			
4687NH	6	Electrical Contractor Starter Package			
4687NS	6	Electrical Starter Package			
4688NH	7	Security Starter Package			
4688NS	7	Security Starter Package			
4689NH	7	Satellite Installation Starter Package			
4689NS	7	Satellite Installation Starter Package			
4690NH	8	Quad Shelf & Steel Partition Package			
4690NS	8	HVAC Starter Package			
4957	4	Ladder Rack & Partition Starter Package			
4959	10	Base Starter Package			
4960	10	Base Starter Package			
4961	11	Base Starter Package			
4962	11	Base Starter Package			
4963	11	Wire Partition w/ Utility Rack Starter Package			
4964	12	Dual Shelf Starter Package			
4965	12	Dual Shelf Starter Package			
4966	13	Triple Shelf Starter Package			
4967	13	Triple Shelf Starter Package			

ADRIAN STEEL COMPANY



QUALITY

- Our products are durable and reliable. Warranty claims are less than 1% of sales.
- Our warranty covers our products for three years or 36,000 miles.

INNOVATIVE PRODUCTS WITH FEATURES THAT MATTER

- Drawers that stay closed while in transit.
- ADseries truly adjustable shelving platform.
- LoadsRite drop-down ladder racks that load and unload the safe and right way.
- Interior ladder storage.
- Plug and Play accessories.
- File storage, removable small parts bins, and much more!

COMMITMENT

At Adrian Steel, we are committed to you beyond the upfit!

- A dedicated Customer Care Team at corporate headquarters.
- A network of highly qualified distributors to support you locally.
- Our commitment to provide the best cargo management solutions in North America.

EXPERIENCE

- **Over One Million vans upfitted**, and counting! It's a fact that an organized vehicle increases work flow efficiencies and reduces inventory damages.
- Recognized as a National Truck Equipment Association MVP.



SERVICE

- Adrian Steel Products can be purchased throughout North America at authorized Adrian Steel distributors.
- Adrian Steel Customer Service Representatives are available M-F, 8am - 5pm EST at **1-800-677-2726**.
- E-mail us at info@adriansteel.com with questions, comments and feedback.
- Visit **AdrianSteel.com** for the most up-to-date product information, distributor locator, product catalogs, videos and more.

PROUDLY DISTRIBUTED BY:



906 James Street
Adrian, Michigan 49221-3996
517-265-6194 Fax: 517-265-5834
Toll Free **800-677-2726**
adriansteel.com info@adriansteel.com